



**en** *Operator's Manual*

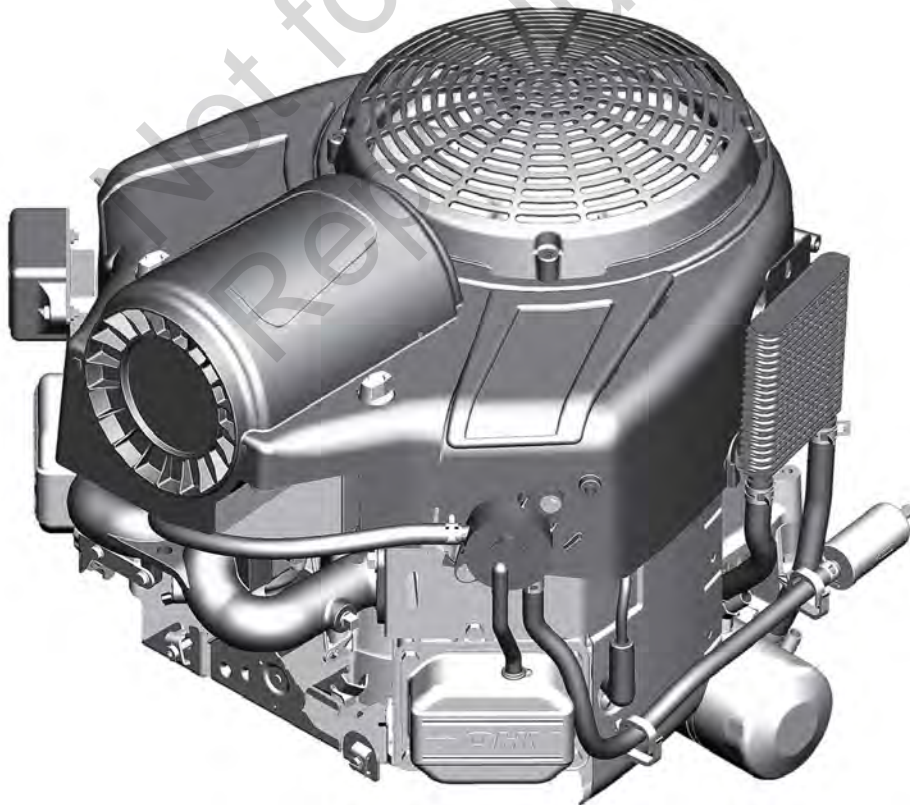
**es** *Manual del Operario*

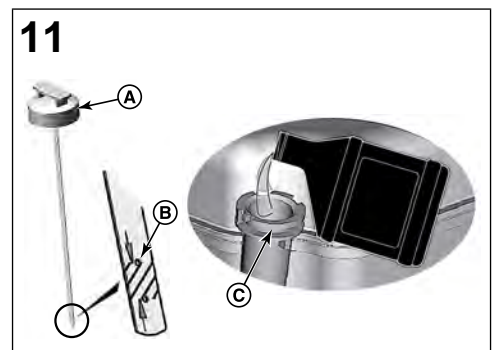
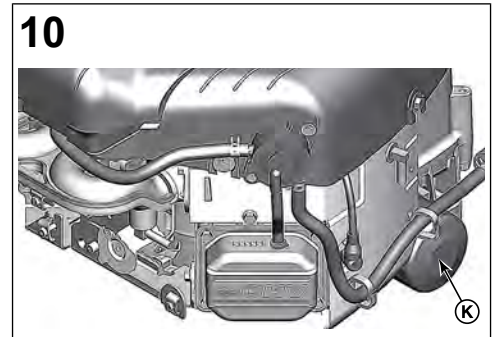
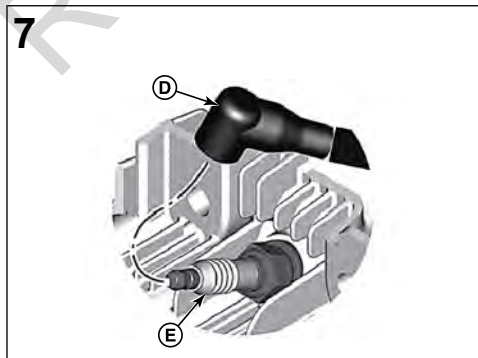
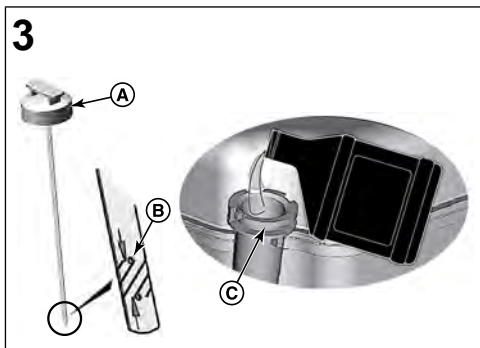
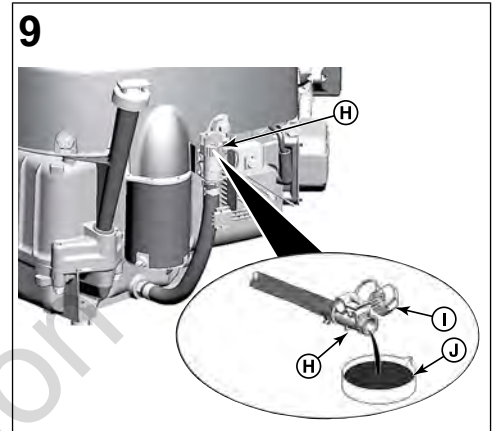
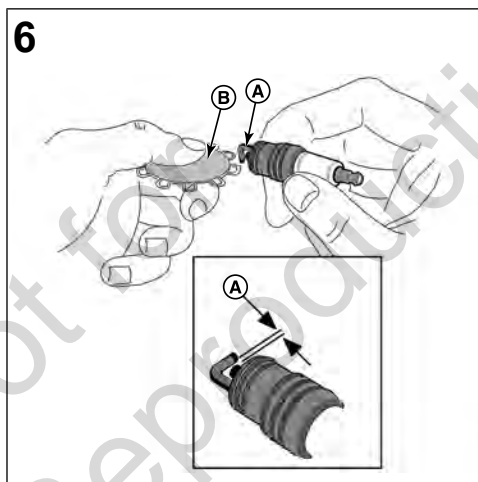
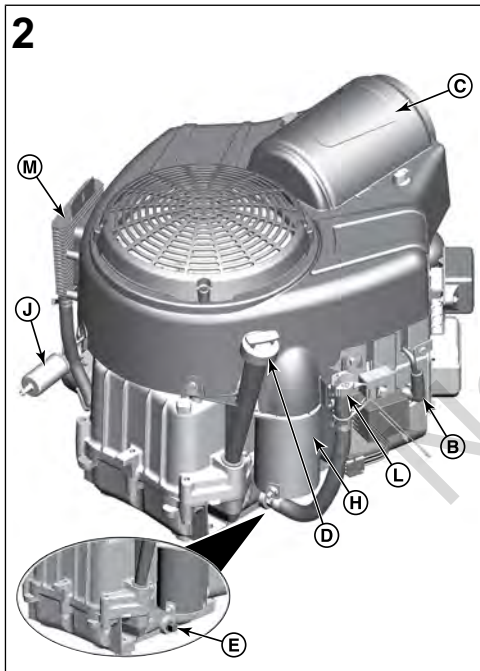
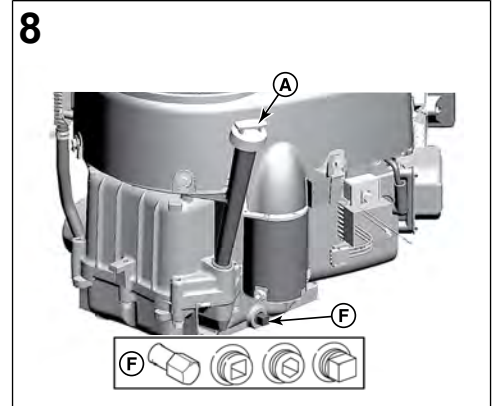
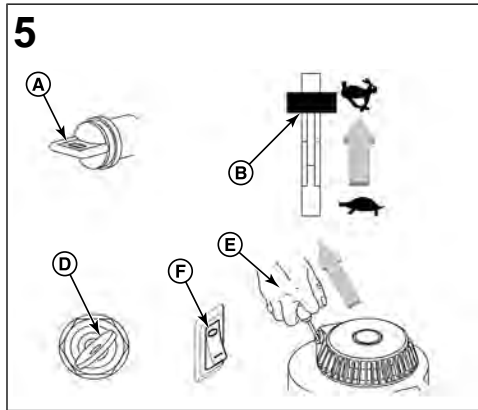
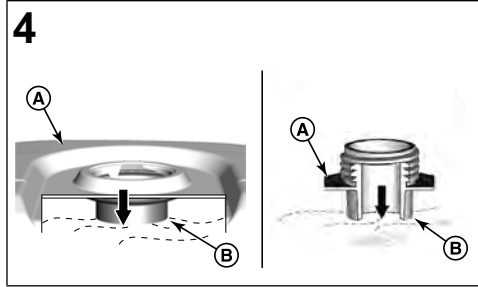
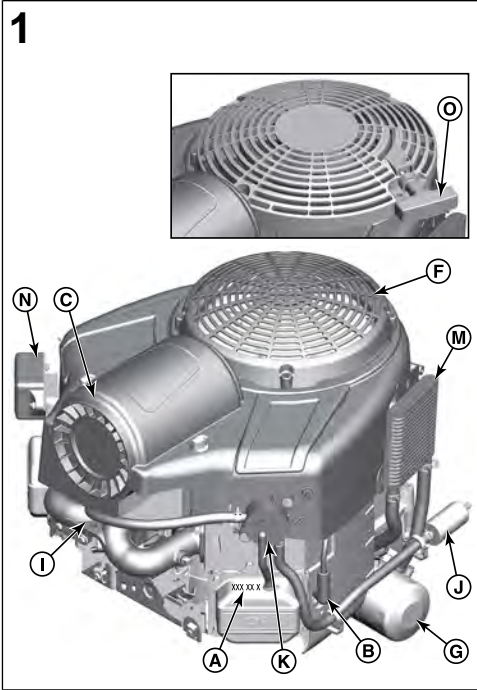
**fr** *Manuel de l'opérateur*

Model 400000  
Commercial Series

Model 440000  
Commercial Series

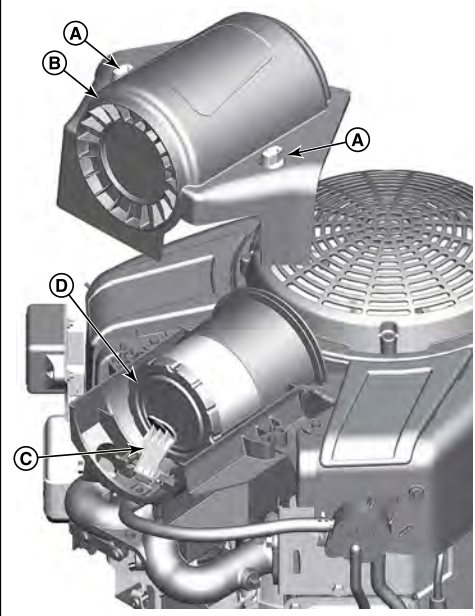
Model 490000  
Commercial Series



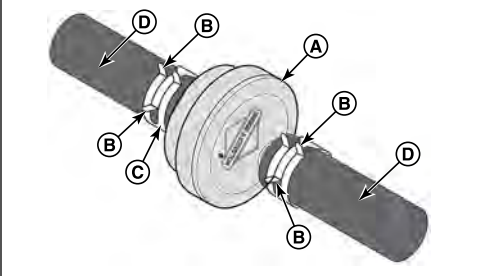




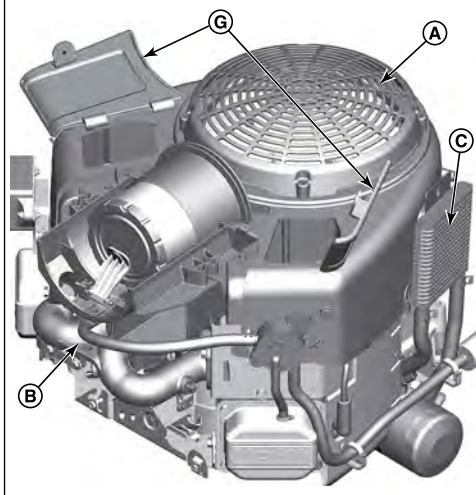
12



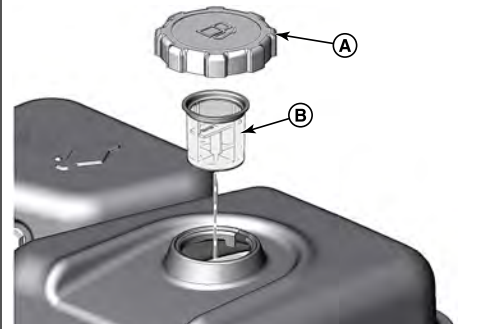
14



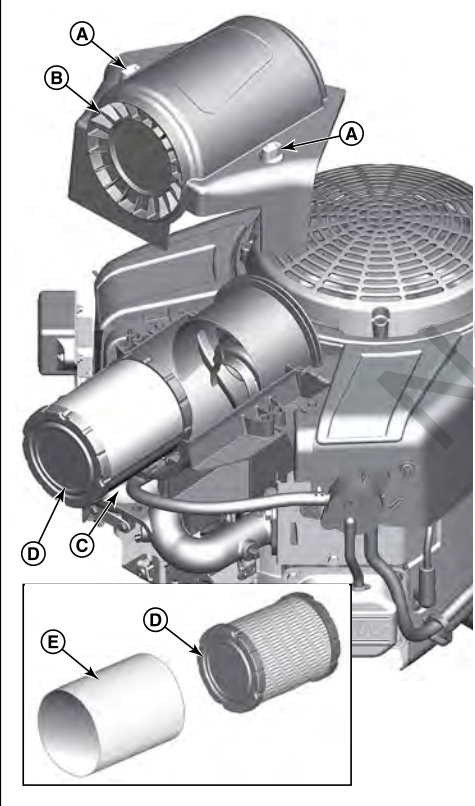
17



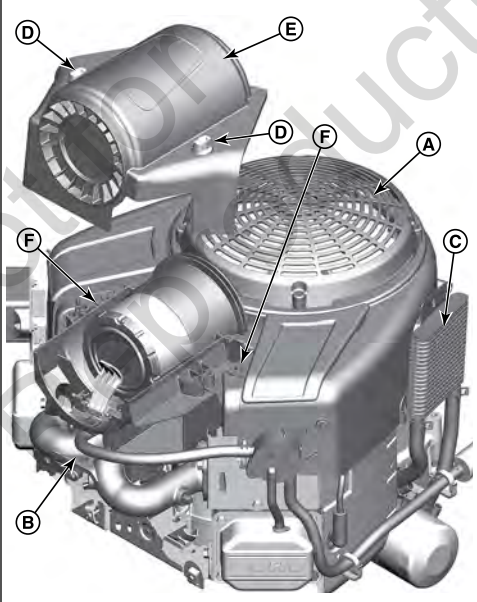
15



13



16



This manual contains safety information to make you aware of the hazards and risks associated with engines and how to avoid them. It also contains instructions for the proper use and care of the engine. Because Briggs & Stratton Corporation does not necessarily know what equipment this engine will power, it is important that you read and understand these instructions and the instructions for the equipment. **Save these original instructions for future reference.**

*NOTE: The figures and illustrations in this manual are provided for reference only and may differ from your specific model. Contact your dealer if you have questions.*

For replacement parts or technical assistance, record below the engine model, type, and code numbers along with the date of purchase. These numbers are located on your engine (see the **Features and Controls** section).

<b>Date of Purchase</b>	
<b>Engine Model - Type - Trim</b>	
<b>Engine Serial Number</b>	

Look for the 2D barcode located on some engines. When viewed with a 2D-capable device, the code will bring up our website where you can access support information for this product. Data rates apply. Some countries may not have online support information available.



Symbol	Meaning	Symbol	Meaning
	Shock hazard		Toxic fume hazard
	Hot surface hazard		Noise hazard - Ear protection recommended for extended use.
	Thrown object hazard - Wear eye protection.		Explosion hazard
	Frostbite hazard		Kickback hazard
	Amputation hazard - moving parts		Chemical Hazard
	Thermal heat hazard		Corrosive

## Recycling Information

		All packaging, used oil, and batteries should be recycled according to applicable government regulations.
--	--	---

## Operator Safety

### Safety Alert Symbol and Signal Words

The safety alert symbol is used to identify safety information about hazards that can result in personal injury. A signal word (DANGER, WARNING, or CAUTION) is used with the alert symbol to indicate the likelihood and the potential severity of injury. In addition, a hazard symbol may be used to represent the type of hazard.

**DANGER** indicates a hazard which, if not avoided, **will result in death or serious injury.**

**WARNING** indicates a hazard which, if not avoided, **could result in death or serious injury.**

**CAUTION** indicates a hazard which, if not avoided, **could result in minor or moderate injury.**

**NOTICE** indicates an situation that **could result in damage to the product.**

### Hazard Symbols and Meanings

Symbol	Meaning	Symbol	Meaning
	Safety information about hazards that can result in personal injury.		Read and understand the Operator's Manual before operating or servicing the unit.
	Fire hazard		Explosion hazard

## Safety Messages



### WARNING

Certain components in this product and its related accessories contain chemicals known to the State of California to cause cancer, birth defects, or other reproductive harm. Wash hands after handling.



### WARNING

The engine exhaust from this product contains chemicals known to the State of California to cause cancer, birth defects, or other reproductive harm.



### WARNING

Briggs & Stratton Engines are not designed for and are not to be used to power: fun-karts; go-karts; children's, recreational, or sport all-terrain vehicles (ATVs); motorbikes; hovercraft; aircraft products; or vehicles used in competitive events not sanctioned by Briggs & Stratton. For information about competitive racing products, see [www.briggsracing.com](http://www.briggsracing.com). For use with utility and side-by-side ATVs, please contact Briggs & Stratton Engine Application Center, 1-866-927-3349. Improper engine application may result in serious injury or death.

### NOTICE

This engine was shipped from Briggs & Stratton without oil. Before you start the engine, make sure you add oil according to the instructions in this manual. If you start the engine without oil, it will be damaged beyond repair and will not be covered under warranty.



### WARNING



Fuel and its vapors are extremely flammable and explosive.  
Fire or explosion can cause severe burns or death.

### When Adding Fuel

- Turn engine off and let engine cool at least 2 minutes before removing the fuel cap.
- Fill fuel tank outdoors or in well-ventilated area.
- Do not overfill fuel tank. To allow for expansion of the fuel, do not fill above the bottom of the fuel tank neck.

- Keep fuel away from sparks, open flames, pilot lights, heat, and other ignition sources.
- Check fuel lines, tank, cap, and fittings frequently for cracks or leaks. Replace if necessary.
- If fuel spills, wait until it evaporates before starting engine.

#### When Starting Engine

- Ensure that spark plug, muffler, fuel cap and air cleaner (if equipped) are in place and secured.
- Do not crank engine with spark plug removed.
- If engine floods, set choke (if equipped) to OPEN / RUN position, move throttle (if equipped) to FAST position and crank until engine starts.

#### When Operating Equipment

- Do not tip engine or equipment at angle which causes fuel to spill.
- Do not choke the carburetor to stop engine.
- Never start or run the engine with the air cleaner assembly (if equipped) or the air filter (if equipped) removed.

#### When Changing Oil

- If you drain the oil from the top oil fill tube, the fuel tank must be empty or fuel can leak out and result in a fire or explosion.

#### When Tipping Unit for Maintenance

- When performing maintenance that requires the unit to be tipped, the fuel tank, if mounted on the engine, must be empty or fuel can leak out and result in a fire or explosion.



#### When Transporting Equipment

- Transport with fuel tank EMPTY or with fuel shut-off valve in the CLOSED position.

#### When Storing Fuel Or Equipment With Fuel In Tank

- Store away from furnaces, stoves, water heaters or other appliances that have pilot lights or other ignition sources because they can ignite fuel vapors.

- When starting engine, pull the starter cord slowly until resistance is felt and then pull rapidly to avoid kickback.
- Remove all external equipment / engine loads before starting engine.
- Direct-coupled equipment components such as, but not limited to, blades, impellers, pulleys, sprockets, etc., must be securely attached.






**WARNING**

**Rotating parts can contact or entangle hands, feet, hair, clothing, or accessories.**

**Traumatic amputation or severe laceration can result.**

- Operate equipment with guards in place.
- Keep hands and feet away from rotating parts.
- Tie up long hair and remove jewelry.
- Do not wear loose-fitting clothing, dangling drawstrings or items that could become caught.



**WARNING**

**Running engines produce heat. Engine parts, especially muffler, become extremely hot.**

**Severe thermal burns can occur on contact.**

**Combustible debris, such as leaves, grass, brush, etc. can catch fire.**

- Allow muffler, engine cylinder and fins to cool before touching.
- Remove accumulated debris from muffler area and cylinder area.
- It is a violation of California Public Resource Code, Section 4442, to use or operate the engine on any forest-covered, brush-covered, or grass-covered land unless the exhaust system is equipped with a spark arrester, as defined in Section 4442, maintained in effective working order. Other states or federal jurisdictions may have similar laws. Contact the original equipment manufacturer, retailer, or dealer to obtain a spark arrester designed for the exhaust system installed on this engine.


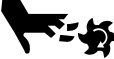


**WARNING**

**Starting engine creates sparking.**

**Sparking can ignite nearby flammable gases.**

**Explosion and fire could result.**

- If there is natural or LP gas leakage in area, do not start engine.
- Do not use pressurized starting fluids because vapors are flammable.

**WARNING**

**Unintentional sparking can result in fire or electric shock.**

**Unintentional start-up can result in entanglement, traumatic amputation, or laceration.**



**Fire hazard**

#### Before performing adjustments or repairs:

- Disconnect the spark plug wire and keep it away from the spark plug.
- Disconnect battery at negative terminal (only engines with electric start.)
- Use only correct tools.
- Do not tamper with governor spring, links or other parts to increase engine speed.
- Replacement parts must be of the same design and installed in the same position as the original parts. Other parts may not perform as well, may damage the unit, and may result in injury.
- Do not strike the flywheel with a hammer or hard object because the flywheel may later shatter during operation.

#### When testing for spark:

- Use approved spark plug tester.
- Do not check for spark with spark plug removed.

**WARNING**

**POISONOUS GAS HAZARD. Engine exhaust contains carbon monoxide, a poisonous gas that could kill you in minutes. You CANNOT see it, smell it, or taste it. Even if you do not smell exhaust fumes, you could still be exposed to carbon monoxide gas. If you start to feel sick, dizzy, or weak while using this product, get to fresh air RIGHT AWAY. See a doctor. You may have carbon monoxide poisoning.**



- Operate this product ONLY outside far away from windows, doors and vents to reduce the risk of carbon monoxide gas from accumulating and potentially being drawn towards occupied spaces.
- Install battery-operated carbon monoxide alarms or plug-in carbon monoxide alarms with battery back-up according to the manufacturer's instructions. Smoke alarms cannot detect carbon monoxide gas.
- DO NOT run this product inside homes, garages, basements, crawlspaces, sheds, or other partially-enclosed spaces even if using fans or opening doors and windows for ventilation. Carbon monoxide can quickly build up in these spaces and can linger for hours, even after this product has shut off.
- ALWAYS place this product downwind and point the engine exhaust away from occupied spaces.

## Features and Controls

### Engine Controls

Compare the illustration (Figure: 1, 2) with your engine to familiarize yourself with the location of various features and controls.

- Engine Identification Numbers **Model - Type - Code**
- Spark Plug
- Air Cleaner

**WARNING**

**Rapid retraction of starter cord (kickback) will pull hand and arm toward engine faster than you can let go.**

**Broken bones, fractures, bruises or sprains could result.**

- D. Dipstick
- E. Oil Drain Plug
- F. Air Intake Grille
- G. Oil Filter
- H. Electric Starter
- I. Carburetor
- J. Fuel Filter (if equipped)
- K. Fuel Pump (if equipped)
- L. Quick Oil Drain (if equipped)
- M. Oil Cooler (if equipped)
- N. Electric Control Unit (if equipped)
- O. Recoil Start (if equipped)

C	Synthetic 5W-30
D	5W-30

## Control Symbols and Meanings

Symbol	Meaning	Symbol	Meaning
	Engine speed - FAST		Engine speed - SLOW
	Engine speed - STOP		ON - OFF
	Engine start - Choke CLOSED		Engine start - Choke OPEN
	Fuel		

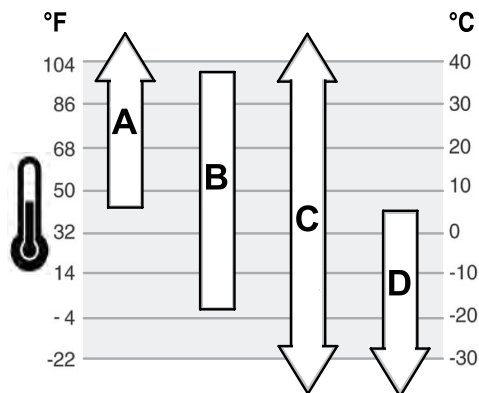
## Operation

### Oil Recommendations

**Oil Capacity:** See the *Specifications* section.

We recommend the use of Briggs & Stratton Warranty Certified oils for best performance. Other high-quality detergent oils are acceptable if classified for service SF, SG, SH, SJ or higher. Do not use special additives.

Outdoor temperatures determine the proper oil viscosity for the engine. Use the chart to select the best viscosity for the outdoor temperature range expected.



A	SAE 30 - Below 40 °F (4 °C) the use of SAE 30 will result in hard starting.
B	10W-30 - Above 80 °F (27 °C) the use of 10W-30 may cause increased oil consumption. Check oil level more frequently.

## Check Oil Level

See Figure: 3

### Before adding or checking the oil

- Make sure the engine is level.
- Clean the oil fill area of any debris.

1. Remove the dipstick (A, Figure 3) and wipe with a clean cloth.
2. Install and tighten the dipstick (A, Figure 3).
3. Remove the dipstick and check the oil level. Correct oil level is at the top of the full indicator (B, Figure 3) on the dipstick.
4. If oil level is low, slowly add oil into the engine oil fill (C, Figure 3). **Do not overfill.** After adding oil, wait one minute and then recheck the oil level.

**NOTE:** Do not add oil at the quick oil drain, if equipped. For location, see *Features and Controls*.

5. Reinstall and tighten the dipstick (A, Figure 3).

## Low Oil Protection System (if equipped)

Some engines are equipped with a low oil sensor. If the oil is low, the sensor will either activate a warning light or stop the engine. Stop the engine and follow these steps before restarting the engine.

- Make sure the engine is level.
- Check the oil level. See the *Check Oil Level* section.
- If the oil level is low, add the proper amount of oil. Start the engine and make sure the warning light (if equipped) is not activated.
- If the oil level is not low, do not start the engine. Contact a Briggs & Stratton Authorized Service Dealer to have the oil problem corrected.

## Fuel Recommendations

**Fuel must meet these requirements:**

- Clean, fresh, unleaded gasoline.
- A minimum of 87 octane/87 AKI (91 RON). High altitude use, see below.
- Gasoline with up to 10% ethanol (gasohol) is acceptable.

**NOTICE** Do not use unapproved gasolines, such as E15 and E85. Do not mix oil in gasoline or modify the engine to run on alternate fuels. Use of unapproved fuels will damage the engine components, which will not be covered under warranty.

To protect the fuel system from gum formation, mix a fuel stabilizer into the fuel. See *Storage*. All fuel is not the same. If starting or performance problems occur, change fuel providers or change brands. This engine is certified to operate on gasoline. The emissions control system for this engine is EM (Engine Modifications).

### High Altitude

At altitudes over 5,000 feet (1524 meters), a minimum 85 octane/85 AKI (89 RON) gasoline is acceptable.

For carbureted engines, high altitude adjustment is required to maintain performance. Operation without this adjustment will cause decreased performance, increased fuel consumption, and increased emissions. Contact a Briggs & Stratton Authorized Service Dealer for high altitude adjustment information. Operation of the engine at altitudes below 2,500 feet (762 meters) with the high altitude adjustment is not recommended.

For Electronic Fuel Injection (EFI) engines, no high altitude adjustment is necessary.

## Add Fuel

See Figure: 4

**WARNING** **Fuel and its vapors are extremely flammable and explosive. Fire or explosion can cause severe burns or death.**

**When adding fuel**

- Turn engine off and let engine cool at least 2 minutes before removing the fuel cap.



- Fill fuel tank outdoors or in well-ventilated area.
  - Do not overfill fuel tank. To allow for expansion of the fuel, do not fill above the bottom of the fuel tank neck.
  - Keep fuel away from sparks, open flames, pilot lights, heat, and other ignition sources.
  - Check fuel lines, tank, cap, and fittings frequently for cracks or leaks. Replace if necessary.
  - If fuel spills, wait until it evaporates before starting engine.
1. Clean the fuel cap area of dirt and debris. Remove the fuel cap.
  2. Fill the fuel tank (A, Figure 4) with fuel. To allow for expansion of the fuel, do not fill above the bottom of the fuel tank neck (B).
  3. Reinstall the fuel cap.

## Start and Stop Engine

See Figure: 5

### Start Engine



**WARNING**

**Fuel and its vapors are extremely flammable and explosive.**

**Fire or explosion can cause severe burns or death.**

#### When Starting Engine

- Ensure that spark plug, muffler, fuel cap and air cleaner (if equipped) are in place and secured.
- Do not crank engine with spark plug removed.
- If engine floods, set choke (if equipped) to OPEN / RUN position, move throttle (if equipped) to FAST position and crank until engine starts.



**WARNING**

**POISONOUS GAS HAZARD. Engine exhaust contains carbon monoxide, a poisonous gas that could kill you in minutes. You CANNOT see it, smell it, or taste it. Even if you do not smell exhaust fumes, you could still be exposed to carbon monoxide gas. If you start to feel sick, dizzy, or weak while using this product, shut it off and get to fresh air RIGHT AWAY. See a doctor. You may have carbon monoxide poisoning.**

- Operate this product ONLY outside far away from windows, doors and vents to reduce the risk of carbon monoxide gas from accumulating and potentially being drawn towards occupied spaces.
- Install battery-operated carbon monoxide alarms or plug-in carbon monoxide alarms with battery back-up according to the manufacturer's instructions. Smoke alarms cannot detect carbon monoxide gas.
- DO NOT run this product inside homes, garages, basements, crawlspaces, sheds, or other partially-enclosed spaces even if using fans or opening doors and windows for ventilation. Carbon monoxide can quickly build up in these spaces and can linger for hours, even after this product has shut off.
- ALWAYS place this product downwind and point the engine exhaust away from occupied spaces.

**NOTICE** This engine was shipped from Briggs & Stratton without oil. Before you start the engine, make sure you add oil according to the instructions in this manual. If you start the engine without oil, it will be damaged beyond repair and will not be covered under warranty.

#### Determine The Starting System

Before starting the engine, you must determine the type of starting system that is on your engine. Your engine will have one of the following types.

- **Electronic Fuel Management System:** This features an Electronic Control Unit that monitors engine and temperature conditions. This type does not have a manual choke or a primer.
- **Choke System:** This features a choke to be used for starting in cool temperatures. Some models will have a separate choke control while others will have a combination choke / throttle control. This type does not have a primer.

To start your engine, follow the instructions for your type of starting system.

**NOTE:** Equipment may have remote controls. See the equipment manual for location and operation of remote controls.

### Electronic Fuel Management System

1. Check the engine oil. See the **Check Oil Level** section.
2. Make sure equipment drive controls, if equipped, are disengaged.
3. Move the fuel shut-off (A, Figure 5), if equipped, to the OPEN position.
4. Move the throttle control (B, Figure 5), if equipped, to the FAST position. Operate the engine in the FAST position.
5. **Rewind Start, if equipped with key switch:** Turn the key switch (D, Figure 5) to the ON position.
6. **Rewind Start, if equipped:** Firmly hold the starter cord handle (E, Figure 5). Pull the starter cord handle slowly until resistance is felt, then pull rapidly.



**WARNING**

Rapid retraction of the starter cord (kickback) will pull your hand and arm toward the engine faster than you can let go. Broken bones, fractures, bruises or sprains could result. When starting engine, pull the starter cord slowly until resistance is felt and then pull rapidly to avoid kickback.

7. **Electric Start, if equipped:** Turn the electric start switch (D, Figure 5) to the ON or START position.

**NOTICE** To extend the life of the starter, use short starting cycles (five seconds maximum). Wait one minute between starting cycles.

**NOTE:** If the engine does not start after repeated attempts, contact your local dealer or go to **BRIGGSandSTRATTON.com** or call **1-800-233-3723** (in USA).

### Choke System

1. Check the engine oil. See the **Check Oil Level** section.
2. Make sure equipment drive controls, if equipped, are disengaged.
3. Move the fuel shut-off (A, Figure 5), if equipped, to the OPEN position.
4. Move the throttle control (B, Figure 5), if equipped, to the FAST position. Operate the engine in the FAST position.
5. Move the choke control (C, Figure 5), or the combination choke and throttle lever (B C), to the CLOSED position.

**NOTE:** Choke is usually unnecessary when restarting a warm engine.

6. **Rewind Start, if equipped with key switch:** Turn the key switch (D, Figure 5) to the ON position.
7. **Rewind Start, if equipped:** Firmly hold the starter cord handle (E, Figure 5). Pull the starter cord handle slowly until resistance is felt, then pull rapidly.



**WARNING**

Rapid retraction of the starter cord (kickback) will pull your hand and arm toward the engine faster than you can let go. Broken bones, fractures, bruises or sprains could result. When starting engine, pull the starter cord slowly until resistance is felt and then pull rapidly to avoid kickback.

8. **Electric Start, if equipped:** Turn the electric start switch (D, Figure 5) to the ON or START position.

**NOTICE** To extend the life of the starter, use short starting cycles (five seconds maximum). Wait one minute between starting cycles.

9. As the engine warms up, move the choke control (C, Figure 5) to the OPEN position.

**NOTE:** If the engine does not start after repeated attempts, contact your local dealer or go to **BRIGGSandSTRATTON.com** or call **1-800-233-3723** (in USA).

### Stop Engine



**WARNING**

**Fuel and its vapors are extremely flammable and explosive.**

**Fire or explosion can cause severe burns or death.**

- Do not choke the carburetor to stop the engine.

1. Disengage equipment controls. See the equipment manual for location and operation of remote controls.
2. Move the throttle control (B, Figure 5), if equipped, to the SLOW position.
3. Turn the key switch (D, Figure 5) to the OFF or STOP position. Remove the key and keep in a safe place out of the reach of children.
4. After the engine stops, move the fuel shut-off (A, Figure 5), if equipped, to the CLOSED position.

## Maintenance

**NOTICE** If the engine is tipped during maintenance, the fuel tank, if mounted on engine, must be empty and the spark plug side must be up. If the fuel tank is not empty and if the engine is tipped in any other direction, it may be difficult to start due to oil or gasoline contaminating the air filter and/or the spark plug.



### WARNING

When performing maintenance that requires the unit to be tipped, the fuel tank, if mounted on the engine, must be empty or fuel can leak out and result in a fire or explosion.

We recommend that you see any Briggs & Stratton Authorized Service Dealer for all maintenance and service of the engine and engine parts.

**NOTICE** All the components used to build this engine must remain in place for proper operation.



### WARNING



Unintentional sparking can result in fire or electric shock.

Unintentional start-up can result in entanglement, traumatic amputation, or laceration.

Fire hazard

#### Before performing adjustments or repairs:

- Disconnect the spark plug wire and keep it away from the spark plug.
- Disconnect battery at negative terminal (only engines with electric start.)
- Use only correct tools.
- Do not tamper with governor spring, links or other parts to increase engine speed.
- Replacement parts must be of the same design and installed in the same position as the original parts. Other parts may not perform as well, may damage the unit, and may result in injury.
- Do not strike the flywheel with a hammer or hard object because the flywheel may later shatter during operation.

#### When testing for spark:

- Use approved spark plug tester.
- Do not check for spark with spark plug removed.

## Emissions Control Service

Maintenance, replacement, or repair of the emissions control devices and systems may be performed by any off-road engine repair establishment or individual. However, to obtain "no charge" emissions control service, the work must be performed by a factory authorized dealer. See the Emissions Control Statements.

## Maintenance Schedule

<b>First 5 Hours</b>
<ul style="list-style-type: none"> <li>• Change oil <sup>2</sup></li> </ul>
<b>Every 8 Hours or Daily</b>
<ul style="list-style-type: none"> <li>• Check engine oil level</li> <li>• Clean area around muffler and controls</li> </ul>
<b>Every 25 Hours or Annually</b>
<ul style="list-style-type: none"> <li>• Clean air filter <sup>1</sup></li> </ul>
<b>Every 50 Hours or Annually</b>

- Change engine oil <sup>3</sup>
- Replace oil filter (if equipped) <sup>3</sup>
- Service exhaust system

#### Every 100 Hours or Annually

- Change engine oil <sup>4</sup>
- Replace oil filter (if equipped) <sup>4</sup>

#### Every 250 Hours

- Change air filter

#### Annually

- Replace spark plugs
- Replace air filter
- Replace pre-cleaner
- Replace fuel filter
- Service cooling system <sup>1</sup>
- Check valve clearance <sup>5</sup>

<sup>1</sup> In dusty conditions or when airborne debris is present, clean more often.

<sup>2</sup> Only engines without oil filter.

<sup>3</sup> Engine without oil filter or with standard black oil filter (see **Specifications** page for part number).

<sup>4</sup> Engines with high-efficiency yellow or orange oil filter (see **Specifications** page for part number).

<sup>5</sup> Not required unless engine performance problems are noted.

## Electronic Fuel Management System

The Electronic Fuel Management System monitors engine temperature, engine speed, and battery voltage to adjust the choke during engine starting and warm up. There are no adjustments on the system. If starting or operation problems occur, contact an Authorized Briggs & Stratton Dealer.

**NOTICE** Make sure to follow the steps below or the Electronic Fuel Management System could be damaged.

- Never start the engine if the battery cables are loose.
- Turn the key to the off position before disconnecting, removing and / or installing the battery.
- Never use a battery charger to start the engine.
- Never disconnect the battery cables while the engine is running.
- When connecting the battery cables, first connect the positive (+) cable and then connect the negative (-) cable to the battery.
- When charging the battery, turn the ignition switch to the off position and disconnect the negative (-) battery cable from the battery.
- Do not spray water directly on the Electronic Control Unit.

## Carburetor and Engine Speed

Never make adjustments to the carburetor or engine speed. The carburetor was set at the factory to operate efficiently under most conditions. Do not tamper with the governor spring, linkages, or other parts to change the engine speed. If any adjustments are required contact a Briggs & Stratton Authorized Service Dealer for service.

**NOTICE** The equipment manufacturer specifies the maximum speed for the engine as installed on the equipment. **Do not exceed** this speed. If you are unsure what the equipment maximum speed is, or what the engine speed is set to from the factory, contact a Briggs & Stratton Authorized Service Dealer for assistance. For safe and proper operation of the equipment, the engine speed should be adjusted only by a qualified service technician.

## Service Spark Plug

See Figure: 6

Check the gap (A, Figure 6) with a wire gauge (B). If necessary, reset the gap. Install and tighten the spark plug to the recommended torque. For gap setting or torque, see the **Specifications** section.

**NOTE:** In some areas, local law requires using a resistor spark plug to suppress ignition signals. If this engine was originally equipped with a resistor spark plug, use the same type for replacement.



## Service Exhaust System



**WARNING**

Running engines produce heat. Engine parts, especially muffler, become extremely hot.

Severe thermal burns can occur on contact.

Combustible debris, such as leaves, grass, brush, etc. can catch fire.

- Allow muffler, engine cylinder and fins to cool before touching.
- Remove accumulated debris from muffler area and cylinder area.
- It is a violation of California Public Resource Code, Section 4442, to use or operate the engine on any forest-covered, brush-covered, or grass-covered land unless the exhaust system is equipped with a spark arrester, as defined in Section 4442, maintained in effective working order. Other states or federal jurisdictions may have similar laws. Contact the original equipment manufacturer, retailer, or dealer to obtain a spark arrester designed for the exhaust system installed on this engine.

Exhaust system parts are installed by the equipment manufacturer. For specific maintenance and replacement parts information, contact the equipment manufacturer.

Remove accumulated debris from muffler and cylinder area. Inspect the muffler for cracks, corrosion, or other damage. Remove the deflector or the spark arrester, if equipped, and inspect for damage or carbon blockage. If damage is found, install replacement parts before operating.



**WARNING**

Replacement parts must be of the same design and installed in the same position as the original parts. Other parts may not perform as well, may damage the unit, and may result in injury.

## Change Engine Oil

See Figure: 7, 8, 9, 10, 11

Used oil is a hazardous waste product and must be disposed of properly. Do not discard with household waste. Check with your local authorities, service center, or dealer for safe disposal/recycling facilities.

### Remove Oil

1. With engine off but still warm, disconnect the spark plug wire(s) (D, Figure 7) and keep it away from the spark plug(s) (E).
2. Remove the dipstick (A, Figure 8).

### Oil Drain Plug, if equipped

1. Remove the oil drain plug (F, Figure 8). Drain the oil into an approved container.

*NOTE: Any of the oil drain plugs (G, Figure 8) may be installed in the engine.*

2. After the oil has drained, install and tighten the oil drain plug (F, Figure 8).

### Quick Oil Drain, if equipped

1. Disconnect the quick oil drain hose (H, Figure 9) from the side of the engine.
2. Turn and remove the oil drain cap (I, Figure 9). Carefully lower the quick oil drain (H) into an approved container (J).
3. After the oil has drained, install the quick oil drain cap (I, Figure 9). Attach the quick oil drain hose (H) to the side of the engine.

### Change Oil Filter, if equipped

Some models are equipped with an oil filter. For replacement intervals, see the **Maintenance Schedule**.

1. Drain the oil from the engine. See **Remove Oil** section.
2. Remove the oil filter (K, Figure 10) and dispose of properly.
3. Before you install the new oil filter, lightly lubricate the oil filter gasket with fresh, clean oil.
4. Install the oil filter by hand until the gasket contacts the oil filter adapter, then tighten the oil filter 1/2 to 3/4 turns.

5. Add oil. See **Add Oil** section.
6. Start and run the engine. As the engine warms up, check for oil leaks.
7. Stop the engine and check the oil level. Correct oil level is at the top of the full indicator (B, Figure 11) on the dipstick.

### Add Oil

- Make sure the engine is level.
- Clean the oil fill area of any debris.
- See the **Specifications** section for oil capacity.

1. Remove the dipstick (A, Figure 11) and wipe with a clean cloth.
2. Slowly pour oil into the engine oil fill (C, Figure 11). **Do not overfill**. After adding oil, wait one minute and then check the oil level.

*NOTE: Do not add oil at the quick oil drain (H, Figure 9), if equipped.*

3. Install and tighten the dipstick (A, Figure 11).
4. Remove the dipstick and check the oil level. Correct oil level is at the top of the full indicator (B, Figure 11) on the dipstick.
5. Reinstall and tighten the dipstick (A, Figure 11).
6. Connect the spark plug wire(s) (D, Figure 7) to the spark plug(s) (E).

## Service Air Filter

See Figure: 12, 13



**WARNING**

Fuel and its vapors are extremely flammable and explosive.

Fire or explosion can cause severe burns or death.

- Never start and run the engine with the air cleaner assembly (if equipped) or the air filter (if equipped) removed.

**NOTICE** Do not use pressurized air or solvents to clean the filter. Pressurized air can damage the filter and solvents will dissolve the filter.

See the **Maintenance Schedule** for service requirements.

1. Loosen the fastener(s) (A, Figure 12) and remove the cover (B).
2. Open the latch (C, Figure 13) and remove the filter (D).
3. Remove the pre-cleaner (E, Figure 13), if equipped, from the filter (D).
4. To loosen debris, gently tap the filter on a hard surface. If the filter is excessively dirty, replace with a new filter.
5. Wash the pre-cleaner in liquid detergent and water. Then allow it to thoroughly air dry. **Do not** oil the pre-cleaner.
6. Assemble the dry pre-cleaner (E, Figure 13) to the filter (D).
7. Install the filter (D, Figure 12) and close the latch (C).
8. Install the cover (B, Figure 12) and secure with the fastener(s) (A).

## Service Fuel System

See Figure: 14, 15



**WARNING**

Fuel and its vapors are extremely flammable and explosive.

Fire or explosion can cause severe burns or death.

- Keep fuel away from sparks, open flames, pilot lights, heat, and other ignition sources.
- Check fuel lines, tank, cap, and fittings frequently for cracks or leaks. Replace if necessary.
- Before cleaning or replacing the fuel filter, drain the fuel tank or close the fuel shut-off valve.
- If fuel spills, wait until it evaporates before starting engine.
- Replacement parts must be the same and installed in the same position as the original parts.

## Fuel Filter, if equipped

1. Before cleaning or replacing the fuel filter (A, Figure 14), drain the fuel tank or close the fuel shut-off valve. Otherwise, fuel can leak out and cause a fire or explosion.
2. Use pliers to squeeze tabs (B, Figure 14) on the clamps (C), then slide the clamps away from the fuel filter (A). Twist and pull the fuel lines (D) off of the fuel filter.
3. Check the fuel lines (D, Figure 14) for cracks or leaks. Replace if necessary.
4. Replace the fuel filter (A, Figure 14) with an original equipment replacement filter.
5. Secure the fuel lines (D, Figure 14) with clamps (C) as shown.

## Fuel Strainer, if equipped

1. Remove the fuel cap (A, Figure 15).
2. Remove the fuel strainer (B, Figure 15).
3. If the fuel strainer is dirty, clean or replace it. If you replace the fuel strainer, make sure to use an original equipment replacement fuel strainer.

## Service Cooling System

See Figure: 16, 17



**WARNING**

Running engines produce heat. Engine parts, especially muffler, become extremely hot.

Severe thermal burns can occur on contact.

Combustible debris, such as leaves, grass, brush, etc., can catch fire.

- Allow muffler, engine cylinder and fins to cool before touching.
- Remove accumulated debris from muffler area and cylinder area.

**NOTICE** Do not use water to clean the engine. Water could contaminate the fuel system. Use a brush or dry cloth to clean the engine.

This is an air cooled engine. Dirt or debris can restrict air flow and cause the engine to overheat, resulting in poor performance and reduced engine life.

1. Use a brush or dry cloth to remove debris from the air intake area (A, Figure 16).
2. Keep linkage, springs and controls (B, Figure 16) clean.
3. Keep the area around and behind the muffler free of any combustible debris.
4. Make sure the oil cooler fins (C, Figure 16) are free of dirt and debris.
5. Loosen the fastener(s) (D, Figure 16) and remove the air filter cover (E).
6. Loosen the fastener(s) (F, Figure 16) and open the debris access panels (G, Figure 17). Remove any grass and debris that has accumulated on the cylinders.
7. Close the debris access panels (G, Figure 17) and secure with the fastener(s) (F, Figure 16).
8. Install the cover (E, Figure 16) and secure with the fastener(s) (D).

After a period of time, debris can accumulate in the cylinder cooling fins and cause the engine to overheat. This debris cannot be removed without partial disassembly of the engine. Have a Briggs & Stratton Authorized Dealer inspect and clean the air cooling system as recommended in the **Maintenance Schedule**.

## Storage



**WARNING**

Fuel and its vapors are extremely flammable and explosive.

Fire or explosion can cause severe burns or death.

### When Storing Fuel Or Equipment With Fuel In Tank

- Store away from furnaces, stoves, water heaters or other appliances that have pilot lights or other ignition sources because they can ignite fuel vapors.

**NOTICE** Store the engine level (normal operating position). If the engine is tipped for maintenance, the fuel tank must be empty and the spark plug side must be up. If the fuel tank is not empty and if the engine is tipped in any other direction, it may be difficult to start due to oil or gasoline contaminating the air filter and/or the spark plug.

## Fuel System

Fuel can become stale when stored over 30 days. Stale fuel causes acid and gum deposits to form in the fuel system or on essential carburetor parts. To keep fuel fresh, use **Briggs & Stratton Advanced Formula Fuel Treatment & Stabilizer**, available wherever Briggs & Stratton genuine service parts are sold.

There is no need to drain gasoline from the engine if a fuel stabilizer is added according to instructions. Run the engine for two (2) minutes to circulate the stabilizer throughout the fuel system before storage.

If gasoline in the engine has not been treated with a fuel stabilizer, it must be drained into an approved container. Run the engine until it stops from lack of fuel. The use of a fuel stabilizer in the storage container is recommended to maintain freshness.

## Engine Oil

While the engine is still warm, change the engine oil. See the **Change Engine Oil** section.

## Troubleshooting

For assistance, contact your local dealer or go to **BRIGGSandSTRATTON.com** or call **1-800-233-3723** (in USA).

## Specifications

Model: 400000	
Displacement	40.03 ci (656 cc)
Bore	2.970 in (75,43 mm)
Stroke	2.890 in (73,41 mm)
Oil Capacity	62 - 64 oz (1,8 - 1,9 L)
Spark Plug Gap	.030 in (.76 mm)
Spark Plug Torque	180 lb-in (20 Nm)
Armature Air Gap	.008 - .012 in (.20 - .30 mm)
Intake Valve Clearance	.004 - .006 in (.10 - .15 mm)
Exhaust Valve Clearance	.004 - .006 in (.10 - .15 mm)

Model: 440000	
Displacement	44.18 ci (724 cc)
Bore	3.120 in (79,24 mm)
Stroke	2.890 in (73,41 mm)
Oil Capacity	62 - 64 oz (1,8 - 1,9 L)
Spark Plug Gap	.030 in (.76 mm)
Spark Plug Torque	180 lb-in (20 Nm)
Armature Air Gap	.008 - .012 in (.20 - .30 mm)
Intake Valve Clearance	.004 - .006 in (.10 - .15 mm)
Exhaust Valve Clearance	.004 - .006 in (.10 - .15 mm)

Model: 490000	
Displacement	49.42 ci (810 cc)
Bore	3.300 in (83,81 mm)
Stroke	2.890 in (73,41 mm)
Oil Capacity	66 - 68 oz (1,9 - 2,0 L)
Spark Plug Gap	.030 in (.76 mm)
Spark Plug Torque	180 lb-in (20 Nm)
Armature Air Gap	.008 - .012 in (.20 - .30 mm)
Intake Valve Clearance	.004 - .006 in (.10 - .15 mm)
Exhaust Valve Clearance	.004 - .006 in (.10 - .15 mm)

Engine power will decrease 3.5% for each 1,000 feet (300 meters) above sea level and 1% for each 10° F (5.6° C) above 77° F (25° C). The engine will operate satisfactorily at an angle up to 15°. Refer to the equipment operator's manual for safe allowable operating limits on slopes.

## Service Parts - Model: 400000, 440000, 490000

Service Part	Part Number
Cyclonic Air Filter	798897
Air Filter Pre-cleaner	593217
Oil - SAE 30	100028
Oil Filter, Standard - Black	492932
Oil Filter, High Efficiency - Yellow	795890
Oil Filter, High Efficiency - Orange	798576
Fuel Additive	100117, 100120
Fuel Filter	691035
Resistor Spark Plug	491055
Long Life Platinum Spark Plug	5066
Spark Plug Wrench	19374
Spark Tester	19368

We recommend that you see any Briggs & Stratton Authorized Dealer for all maintenance and service of the engine and engine parts.

**Power Ratings:** The gross power rating for individual gasoline engine models is labeled in accordance with SAE (Society of Automotive Engineers) code J1940 Small Engine Power & Torque Rating Procedure, and is rated in accordance with SAE J1995. Torque values are derived at 2600 RPM for those engines with "rpm" called out on the label and 3060 RPM for all others; horsepower values are derived at 3600 RPM. The gross power curves can be viewed at [www.BRIGGSandSTRATTON.COM](http://www.BRIGGSandSTRATTON.COM). Net power values are taken with exhaust and air cleaner installed whereas gross power values are collected without these attachments. Actual gross engine power will be higher than net engine power and is affected by, among other things, ambient operating conditions and engine-to-engine variability. Given the wide array of products on which engines are placed, the gasoline engine may not develop the rated gross power when used in a given piece of power equipment. This difference is due to a variety of factors including, but not limited to, the variety of engine components (air cleaner, exhaust, charging, cooling, carburetor, fuel pump, etc.), application limitations, ambient operating conditions (temperature, humidity, altitude), and engine-to-engine variability. Due to manufacturing and capacity limitations, Briggs & Stratton may substitute an engine of higher rated power for this engine.

## Warranty Briggs & Stratton Engine Warranty

Effective January 2016

### Limited Warranty

Briggs & Stratton warrants that, during the warranty period specified below, it will repair or replace, free of charge, any part that is defective in material or workmanship or both. Transportation charges on product submitted for repair or replacement under this warranty must be borne by purchaser. This warranty is effective for and is subject to the time periods and conditions stated below. For warranty service, find the nearest Authorized Service Dealer in our dealer locator map at [BRIGGSandSTRATTON.COM](http://BRIGGSandSTRATTON.COM). The purchaser must contact the Authorized Service Dealer, and then make the product available to the Authorized Service Dealer for inspection and testing.

**There is no other express warranty. Implied warranties, including those of merchantability and fitness for a particular purpose, are limited to the warranty period listed below, or to the extent permitted by law.** Liability for incidental or consequential damages are excluded to the extent exclusion is permitted by law. Some states or countries do not allow limitations on how long an implied warranty lasts, and some states or countries do not allow the exclusion or limitation of incidental or consequential damages, so the above limitation and exclusion may not apply to you. This warranty gives you specific legal rights and you may also have other rights which vary from state to state and country to country <sup>4</sup>.

### Standard Warranty Terms <sup>1, 2</sup>

Brand / Product Name	Consumer Use	Commercial Use
Vanguard™ <sup>3</sup>	36 months	36 months
Commercial Turf Series™ ; Commercial Series	24 months	24 months
Engines Featuring Dura-Bore™ Cast Iron Sleeve	24 months	12 months
All Other Briggs & Stratton Engines	24 months	3 months

<sup>1</sup> These are our standard warranty terms, but occasionally there may be additional warranty coverage that was not determined at time of publication. For a listing of current warranty terms for your engine, go to [BRIGGSandSTRATTON.com](http://BRIGGSandSTRATTON.com) or contact your Briggs & Stratton Authorized Service Dealer.

<sup>2</sup> There is no warranty for engines on equipment used for prime power in place of a utility or for standby generators used for commercial purposes. Engines used in competitive racing or on commercial or rental tracks are not warranted.

<sup>3</sup> Vanguard installed on standby generators: 24 months consumer use, no warranty commercial use. Vanguard installed on utility vehicles: 24 months consumer use, 24 months commercial use. Vanguard 3-cylinder liquid cooled: see Briggs & Stratton 3/LC Engine Warranty Policy.

<sup>4</sup> In Australia - Our goods come with guarantees that cannot be excluded under the Australian Consumer Law. You are entitled to a replacement or refund for a major failure and for compensation for any other reasonably foreseeable loss or damage. You are also entitled to have the goods repaired or replaced if the goods fail to be of acceptable quality and the failure does not amount to a major failure. For warranty service, find the nearest Authorized Service Dealer in our dealer locator map at [BRIGGSandSTRATTON.COM](http://BRIGGSandSTRATTON.COM), or by calling 1300 274 447, or by emailing or writing to [salesenquiries@briggsandstratton.com.au](mailto:salesenquiries@briggsandstratton.com.au), Briggs & Stratton Australia Pty Ltd, 1 Moorebank Avenue, Moorebank, NSW, Australia, 2170.

The warranty period begins on the original date of purchase by the first retail or commercial consumer. "Consumer use" means personal residential household use by a retail consumer. "Commercial use" means all other uses, including use for commercial, income producing or rental purposes. Once an engine has experienced commercial use, it shall thereafter be considered as a commercial use engine for purposes of this warranty.

**Save your proof of purchase receipt. If you do not provide proof of the initial purchase date at the time warranty service is requested, the manufacturing date of the product will be used to determine the warranty period. Product registration is not required to obtain warranty service on Briggs & Stratton products.**

### About Your Warranty

This limited warranty covers engine-related material and/or workmanship issues only, and not replacement or refund of the equipment to which the engine may be mounted. Routine maintenance, tune-ups, adjustments, or normal wear and tear are not covered under this warranty. Similarly, warranty is not applicable if the engine has been altered or modified or if the engine serial number has been defaced or removed. This warranty does not cover engine damage or performance problems caused by:

1. The use of parts that are not original Briggs & Stratton parts;
2. Operating the engine with insufficient, contaminated, or an incorrect grade of lubricating oil;
3. The use of contaminated or stale fuel, gasoline formulated with ethanol greater than 10%, or the use of alternative fuels such as liquefied petroleum or natural gas on engines not originally designed/manufactured by Briggs & Stratton to operate on such fuels;
4. Dirt which entered the engine because of improper air cleaner maintenance or re-assembly;
5. Striking an object with the cutter blade of a rotary lawn mower, loose or improperly installed blade adapters, impellers, or other crankshaft coupled devices, or excessive v-belt tightness;
6. Associated parts or assemblies such as clutches, transmissions, equipment controls, etc., which are not supplied by Briggs & Stratton;
7. Overheating due to grass clippings, dirt and debris, or rodent nests which plug or clog the cooling fins or flywheel area, or by operating the engine without sufficient ventilation;
8. Excessive vibration due to over-speeding, loose engine mounting, loose or unbalanced cutter blades or impellers, or improper coupling of equipment components to the crankshaft;
9. Misuse, lack of routine maintenance, shipping, handling, or warehousing of equipment, or improper engine installation.

**Warranty service is available only through Briggs & Stratton Authorized Service Dealers. Locate your nearest Authorized Service Dealer in our dealer locator map at [BRIGGSandSTRATTON.COM](http://BRIGGSandSTRATTON.COM) or by calling 1-800-233-3723 (in USA).**

80004537 (Rev.B)

## Briggs & Stratton Emissions Warranty

### California, U.S. EPA, and Briggs & Stratton Corporation Emissions Control Warranty Statement - Your Warranty Rights and Obligations

**For Briggs & Stratton Engine Models with "F" Trim Designation (Model-Type-Trim Representation xxxxxx xxxx Fx)**

The California Air Resources Board, U.S. EPA, and Briggs & Stratton (B&S) are pleased to explain the emissions control system warranty on your Model Year 2015-2017 engine/equipment. In California, new small off-road engines and large spark ignited engines less than or equal to 1.0 liter must be designed, built, and equipped to meet the State's stringent anti-smog standards. B&S must warrant the emissions control system on your

engine/equipment for the periods of time listed below provided there has been no abuse, neglect, or improper maintenance of your engine/equipment.

Your exhaust emissions control system may include parts such as the carburetor or fuel injection system, ignition system, and catalytic converter. Also included may be hoses, belts, connectors, sensors, and other emissions-related assemblies. Your evaporative emission control system may include parts such as: carburetors, fuel tanks, fuel lines, fuel caps, valves, canisters, filters, vapor hoses, clamps, connectors, and other associated components.

Where a warrantable condition exists, B&S will repair your engine/equipment at no cost to you including diagnosis, parts, and labor.

#### Manufacturer's Warranty Coverage:

Small off-road engines and large spark ignited engines less than or equal to 1.0 liter, and any related emissions components of the equipment, are warranted for two years, or for the time period listed in the respective engine or product warranty statement, whichever is greater. If any emissions-related part on your B&S engine/equipment is defective, the part will be repaired or replaced by B&S.

#### Owner's Warranty Responsibilities:

- As the engine/equipment owner, you are responsible for the performance of the required maintenance listed in your Operator's Manual. B&S recommends that you retain all receipts covering maintenance on your engine/equipment, but B&S cannot deny warranty solely for the lack of receipts or your failure to ensure the performance of all scheduled maintenance.
- As the engine/equipment owner, you should however be aware that B&S may deny you warranty coverage if your engine/equipment or a part has failed due to abuse, neglect, improper maintenance, or unapproved modifications.
- You are responsible for presenting your engine/equipment to a B&S distribution center, servicing dealer, or other equivalent entity, as applicable, as soon as a problem exists. The warranty repairs should be completed in a reasonable amount of time, not to exceed 30 days. If you have any questions regarding your warranty rights and responsibilities, you should contact B&S at 1-800-444-7774 (in USA) or BRIGGSandSTRATTON.COM.

### Briggs & Stratton Emissions Control Warranty Provisions

The following are specific provisions relative to your Emissions Control Warranty Coverage. It is in addition to the B&S engine warranty for non-regulated engines found in the Operator's Manual.

1. **Warranted Emissions Parts**  
Coverage under this warranty extends only to the parts listed below (the emissions control systems parts) to the extent these parts were present on the B&S engine and/or B&S supplied fuel system.
  - a. **Fuel Metering System**
    - Cold start enrichment system (soft choke)
    - Carburetor or fuel injection system
    - Oxygen sensor
    - Electronic control unit
    - Fuel pump module
    - Fuel line, fuel line fittings, clamps
    - Fuel tank, cap and tether
    - Carbon canister
  - b. **Air Induction System**
    - Air cleaner
    - Intake manifold
    - Purge and vent line
  - c. **Ignition System**
    - Spark plug(s)
    - Magneto ignition system
  - d. **Catalyst System**
    - Catalytic converter
    - Exhaust manifold
    - Air injection system or pulse valve
  - e. **Miscellaneous Items Used in Above Systems**
    - Vacuum, temperature, position, time sensitive valves and switches
    - Connectors and assemblies
2. **Length of Coverage**  
Coverage is for a period of two years from date of original purchase, or for the time period listed in the respective engine or product warranty statement, whichever is greater. B&S warrants to the original purchaser and each subsequent purchaser that

the engine is designed, built, and equipped so as to conform with all applicable regulations adopted by the Air Resources Board; that it is free from defects in material and workmanship that could cause the failure of a warranted part; and that it is identical in all material respects to the engine described in the manufacturer's application for certification. The warranty period begins on the date the engine is originally purchased.

The warranty on emissions-related parts is as follows:

- Any warranted part that is not scheduled for replacement as required maintenance in the Operator's Manual supplied, is warranted for the warranty period stated above. If any such part fails during the period of warranty coverage, the part will be repaired or replaced by B&S at no charge to the owner. Any such part repaired or replaced under the warranty will be warranted for the remaining warranty period.
  - Any warranted part that is scheduled only for regular inspection in the Operator's Manual supplied, is warranted for the warranty period stated above. Any such part repaired or replaced under warranty will be warranted for the remaining warranty period.
  - Any warranted part that is scheduled for replacement as required maintenance in the Operator's Manual supplied, is warranted for the period of time prior to the first scheduled replacement point for that part. If the part fails prior to the first scheduled replacement, the part will be repaired or replaced by B&S at no charge to the owner. Any such part repaired or replaced under warranty will be warranted for the remainder of the period prior to the first scheduled replacement point for the part.
  - Add-on or modified parts that are not exempted by the Air Resources Board may not be used. The use of any non-exempted add-on or modified parts by the owner will be grounds for disallowing a warranty claim. The manufacturer will not be liable to warrant failures of warranted parts caused by the use of a non-exempted add-on or modified part.
3. **Consequential Coverage**  
Coverage shall extend to the failure of any engine components caused by the failure of any warranted emissions parts.
  4. **Claims and Coverage Exclusions**  
Warranty claims shall be filed according to the provisions of the B&S engine warranty policy. Warranty coverage does not apply to failures of emissions parts that are not original equipment B&S parts or to parts that fail due to abuse, neglect, or improper maintenance as set forth in the B&S engine warranty policy. B&S is not liable for warranty coverage of failures of emissions parts caused by the use of add-on or modified parts.

### Look For Relevant Emissions Durability Period and Air Index Information On Your Small Off-Road Engine Emissions Label

Engines that are certified to meet the California Air Resources Board (CARB) small off-road Emissions Standard must display information regarding the Emissions Durability Period and the Air Index. Briggs & Stratton makes this information available to the consumer on our emissions labels. The engine emissions label will indicate certification information.

The **Emissions Durability Period** describes the number of hours of actual running time for which the engine is certified to be emissions compliant, assuming proper maintenance in accordance with the Operator's Manual. The following categories are used:

#### Moderate:

Engines at or less than 80 cc displacement are certified to be emissions compliant for 50 hours of actual engine running time. Engines greater than 80 cc displacement are certified to be emissions compliant for 125 hours of actual engine running time.

#### Intermediate:

Engines at or less than 80 cc displacement are certified to be emissions compliant for 125 hours of actual engine running time. Engines greater than 80 cc displacement are certified to be emissions compliant for 250 hours of actual engine running time.

#### Extended:

Engines at or less than 80 cc displacement are certified to be emissions compliant for 300 hours of actual engine running time. Engines greater than 80 cc displacement are certified to be emissions compliant for 500 hours of actual engine running time.

For example, a typical walk-behind lawn mower is used 20 to 25 hours per year. Therefore, the **Emissions Durability Period** of an engine with an **intermediate** rating would equate to 10 to 12 years.

Briggs & Stratton engines are certified to meet the United States Environmental Protection Agency (USEPA) Phase 2 or Phase 3 emissions standards. The Emissions Compliance Period referred to on the Emissions Compliance label indicates the number of operating hours for which the engine has been shown to meet Federal emissions requirements.

#### For engines at or less than 80 cc displacement:

Category C = 50 hours, Category B = 125 hours, Category A = 300 hours

#### For engines greater than 80 cc displacement and less than 225 cc displacement:



Category C = 125 hours, Category B = 250 hours, Category A = 500 hours

**For engines of 225 cc or more displacement:**

Category C = 250 hours, Category B = 500 hours, Category A = 1000 hours

80008256 (Rev D)

## California, U.S. EPA, and Briggs & Stratton Corporation Emissions Control Warranty Statement - Your Warranty Rights and Obligations

### For Briggs & Stratton Engine Models with "B" or "G" Trim Designation (Model-Type-Trim Representation xxxxx xxxx Bx or xxxxx xxxx Gx)

The California Air Resources Board, U.S. EPA, and Briggs & Stratton (B&S) are pleased to explain the emissions control system warranty on your Model Year 2015-2017 engine. In California, new small off-road engines and large spark ignited engines less than or equal to 1.0 liter must be designed, built, and equipped to meet the State's stringent anti-smog standards. B&S must warrant the emissions control system on your engine for the periods of time listed below provided there has been no abuse, neglect, or improper maintenance of your engine.

Your exhaust emissions control system may include parts such as the carburetor or fuel injection system, ignition system, and catalytic converter. Also included may be hoses, belts, connectors, sensors, and other emissions-related assemblies.

Where a warrantable condition exists, B&S will repair your engine at no cost to you including diagnosis, parts, and labor.

#### Manufacturer's Warranty Coverage:

Small off-road engines and large spark ignited engines less than or equal to 1.0 liter, and any related emissions components of the equipment, are warranted for two years, or for the time period listed in the respective engine or product warranty statement, whichever is greater. If any emissions-related part on your B&S engine is defective, the part will be repaired or replaced by B&S.

#### Owner's Warranty Responsibilities:

- As the engine owner, you are responsible for the performance of the required maintenance listed in your Operator's Manual. B&S recommends that you retain all receipts covering maintenance on your engine, but B&S cannot deny warranty solely for the lack of receipts or your failure to ensure the performance of all scheduled maintenance.
- As the engine owner, you should however be aware that B&S may deny you warranty coverage if your engine or a part has failed due to abuse, neglect, improper maintenance, or unapproved modifications.
- You are responsible for presenting your engine to a B&S distribution center, servicing dealer, or other equivalent entity, as applicable, as soon as a problem exists. The warranty repairs should be completed in a reasonable amount of time, not to exceed 30 days. If you have any questions regarding your warranty rights and responsibilities, you should contact B&S at 1-800-444-7774 (in USA) or BRIGGSandSTRATTON.COM.

## Briggs & Stratton Emissions Control Warranty Provisions

The following are specific provisions relative to your Emissions Control Warranty Coverage. It is in addition to the B&S engine warranty for non-regulated engines found in the Operator's Manual.

1. Warranted Emissions Parts  
Coverage under this warranty extends only to the parts listed below (the emissions control systems parts) to the extent these parts were present on the B&S engine.
  - a. Fuel Metering System
    - Cold start enrichment system (soft choke)
    - Carburetor or fuel injection system
    - Oxygen sensor
    - Electronic control unit
    - Fuel pump module
  - b. Air Induction System
    - Air cleaner
    - Intake manifold
  - c. Ignition System
    - Spark plug(s)
    - Magneto ignition system
  - d. Catalyst System
    - Catalytic converter
    - Exhaust manifold

- Air injection system or pulse value
- e. Miscellaneous Items Used in Above Systems
  - Vacuum, temperature, position, time sensitive valves and switches
  - Connectors and assemblies

2. Length of Coverage

Coverage is for a period of two years from date of original purchase, or for the time period listed in the respective engine or product warranty statement, whichever is greater. B&S warrants to the original purchaser and each subsequent purchaser that the engine is designed, built, and equipped so as to conform with all applicable regulations adopted by the Air Resources Board; that it is free from defects in material and workmanship that could cause the failure of a warranted part; and that it is identical in all material respects to the engine described in the manufacturer's application for certification. The warranty period begins on the date the engine is originally purchased.

The warranty on emissions-related parts is as follows:

- Any warranted part that is not scheduled for replacement as required maintenance in the Operator's Manual supplied, is warranted for the warranty period stated above. If any such part fails during the period of warranty coverage, the part will be repaired or replaced by B&S at no charge to the owner. Any such part repaired or replaced under the warranty will be warranted for the remaining warranty period.
  - Any warranted part that is scheduled only for regular inspection in the Operator's Manual supplied, is warranted for the warranty period stated above. Any such part repaired or replaced under warranty will be warranted for the remaining warranty period.
  - Any warranted part that is scheduled for replacement as required maintenance in the Operator's Manual supplied, is warranted for the period of time prior to the first scheduled replacement point for that part. If the part fails prior to the first scheduled replacement, the part will be repaired or replaced by B&S at no charge to the owner. Any such part repaired or replaced under warranty will be warranted for the remainder of the period prior to the first scheduled replacement point for the part.
  - Add-on or modified parts that are not exempted by the Air Resources Board may not be used. The use of any non-exempted add-on or modified parts by the owner will be grounds for disallowing a warranty claim. The manufacturer will not be liable to warrant failures of warranted parts caused by the use of a non-exempted add-on or modified part.
3. Consequential Coverage  
Coverage shall extend to the failure of any engine components caused by the failure of any warranted emissions parts.
  4. Claims and Coverage Exclusions  
Warranty claims shall be filed according to the provisions of the B&S engine warranty policy. Warranty coverage does not apply to failures of emissions parts that are not original equipment B&S parts or to parts that fail due to abuse, neglect, or improper maintenance as set forth in the B&S engine warranty policy. B&S is not liable for warranty coverage of failures of emissions parts caused by the use of add-on or modified parts.

## Look For Relevant Emissions Durability Period and Air Index Information On Your Small Off-Road Engine Emissions Label

Engines that are certified to meet the California Air Resources Board (CARB) small off-road Emissions Standard must display information regarding the Emissions Durability Period and the Air Index. Briggs & Stratton makes this information available to the consumer on our emissions labels. The engine emissions label will indicate certification information.

The **Emissions Durability Period** describes the number of hours of actual running time for which the engine is certified to be emissions compliant, assuming proper maintenance in accordance with the Operator's Manual. The following categories are used:

#### Moderate:

Engines at or less than 80 cc displacement are certified to be emissions compliant for 50 hours of actual engine running time. Engines greater than 80 cc displacement are certified to be emissions compliant for 125 hours of actual engine running time.

#### Intermediate:

Engines at or less than 80 cc displacement are certified to be emissions compliant for 125 hours of actual engine running time. Engines greater than 80 cc displacement are certified to be emissions compliant for 250 hours of actual engine running time.

#### Extended:

Engines at or less than 80 cc displacement are certified to be emissions compliant for 300 hours of actual engine running time. Engines greater than 80 cc displacement are certified to be emissions compliant for 500 hours of actual engine running time.

For example, a typical walk-behind lawn mower is used 20 to 25 hours per year. Therefore, the **Emissions Durability Period** of an engine with an **intermediate** rating would equate to 10 to 12 years.

Briggs & Stratton engines are certified to meet the United States Environmental Protection Agency (USEPA) Phase 2 or Phase 3 emissions standards. The Emissions Compliance Period referred to on the Emissions Compliance label indicates the number of operating hours for which the engine has been shown to meet Federal emissions requirements.

**For engines at or less than 80 cc displacement:**

Category C = 50 hours, Category B = 125 hours, Category A = 300 hours

**For engines greater than 80 cc displacement and less than 225 cc displacement:**

Category C = 125 hours, Category B = 250 hours, Category A = 500 hours

**For engines of 225 cc or more displacement:**

Category C = 250 hours, Category B = 500 hours, Category A = 1000 hours

80008114 (Rev D)

Not for  
Reproduction

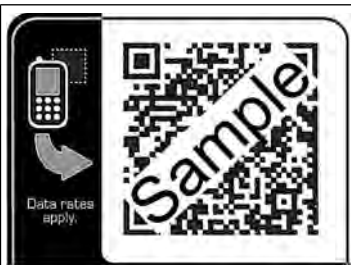
Este manual contiene información de seguridad para advertirle sobre los peligros y riesgos asociados con motores y cómo evitarlos. También contiene instrucciones para uso y cuidado correctos del motor. Debido a que Briggs & Stratton Corporation no necesariamente sabe para qué equipo se utilizará este motor, es importante que usted lea y comprenda estas instrucciones y las instrucciones de su equipo. **Conserve estas instrucciones originales para consulta futura.**

**NOTA:** Las figuras e ilustraciones en este manual son provistas solo para consulta y pueden no ser iguales a su modelo específico. Si tiene preguntas, comuníquese con su distribuidor.

Para piezas de repuesto o asistencia técnica, anote a continuación el modelo, tipo y números de código del motor, junto con la fecha de compra. Estos números están ubicados en su motor (vea la sección de **Características y Controles**).

Fecha de compra	
Modelo del motor - Tipo - Reglaje	
Número de Serie del motor	

Busque el código de barras 2D que se encuentra en algunos motores. Cuando se ve con un dispositivo con capacidad 2D, el código hará surgir nuestro sitio web donde puede acceder a información de soporte para este producto. Corresponden tarifas de datos. Algunos países pueden no tener información de soporte en línea disponible.



Símbolo	Significado	Símbolo	Significado
	Peligro de incendio		Peligro de explosión
	Peligro de descarga		Peligro de emisión de vapores tóxicos
	Peligro de superficie caliente		Peligro de ruido: se recomienda el uso prolongado de protección para los oídos.
	Peligro de caída de objetos: utilice protección para los ojos.		Peligro de explosión
	Peligro de congelación		Peligro de retroceso violento
	Peligro de amputación: piezas móviles		Peligro químico
	Peligro de calor		Corrosivo

## Información sobre reciclaje



El embalaje, el aceite usado y las baterías, en su totalidad, deben reciclarse de acuerdo con las regulaciones gubernamentales aplicables.

## Seguridad del operador

### Símbolo de alerta de seguridad y palabras de señalización

El símbolo de alerta de seguridad se usa para identificar información de seguridad sobre riesgos que pueden provocar lesiones personales. Se usa una palabra de señalización (PELIGRO, ADVERTENCIA o ATENCIÓN) junto con el símbolo de alerta para indicar la probabilidad y la gravedad potencial de las lesiones. Además, se puede usar un símbolo de riesgo para representar el tipo de riesgo.

**PELIGRO** indica un riesgo que, si no se evita, **ocasionará la muerte o lesiones graves.**

**ADVERTENCIA** indica un riesgo que, si no se evita, **podría ocasionar la muerte o lesiones graves.**

**ATENCIÓN** indica un riesgo que, si no se evita, **podría ocasionar lesiones menores o moderadas.**

**AVISO** indica una situación que **podría provocar daños al producto.**

### Símbolos de peligro y sus significados

Símbolo	Significado	Símbolo	Significado
	Información de seguridad sobre los riesgos que pueden provocar lesiones físicas.		Lea y entienda el Manual del Operador antes de operar o reparar la unidad.

## Mensajes de seguridad



### ADVERTENCIA

Ciertos componentes en este producto y sus accesorios correspondientes contienen químicos considerados para el Estado de California como generadores de cáncer, defectos de nacimiento u otros daños reproductivos. Lávese las manos después de manipular estos elementos.



### ADVERTENCIA

La descarga de escape que expela este motor por este producto contiene químicos conocidos para el Estado de California que pueden ocasionar cáncer, defectos de nacimiento u otros daños que pueden ser perjudiciales para la reproducción.



### ADVERTENCIA

Los motores Briggs & Stratton no están diseñados para y no deben utilizarse para impulsar "karts" recreativos o deportivos; vehículos recreativos para niños o deportivos todo terreno; motos; aerodeslizadores; productos de aeronaves o vehículos utilizados en eventos competitivos no sancionados por Briggs & Stratton. Para obtener información sobre productos para carreras competitivas, vaya a [www.briggsracing.com](http://www.briggsracing.com). Para uso con vehículos utilitarios y todo terrenos multi personales, contáctese con el Centro de Aplicación de Motores Briggs & Stratton al 1-866-927-3349. La aplicación inadecuada del motor puede generar lesiones graves o la muerte.

### AVISO

Este motor fue enviado desde Briggs & Stratton sin aceite. Antes de arrancar el motor, asegúrese de agregar aceite según las instrucciones de este manual. Si arranca el motor sin aceite, sufrirá daños irreparables que la garantía no cubrirá.



### ADVERTENCIA



**El combustible y sus vapores son extremadamente inflamables y explosivos. Un incendio o una explosión pueden causar graves quemaduras o la muerte.**

Cuando Aprovechone con Combustible

- Apague el motor y deje que se enfríe por lo menos 2 minutos antes de remover la tapa del combustible.
- Llene el tanque de combustible en exteriores o en un área bien ventilada.
- No llene excesivamente el tanque de combustible. Para permitir la expansión del combustible no llene por encima de la parte inferior del cuello del tanque de combustible.
- Mantenga el combustible alejado de chispas, llamas abiertas, testigos piloto, fuentes de calor y otras fuentes de encendido.
- Compruebe con frecuencia si existen grietas o fugas en las mangueras de combustible, el tanque, la tapa y en los accesorios. Cámbielos si es necesario.
- Si se derramó combustible, espere hasta que se haya evaporado antes arrancar el motor.

#### Quando le de arranque al motor

- Asegúrese de que la bujía, el silenciador, la tapa del combustible y el purificador de aire (si tiene) estén colocados de modo seguro en su lugar.
- No haga girar el motor si retiró la bujía.
- Si el motor se inunda, ajuste el estrangulador (si está equipado) en la posición OPEN/RUN, coloque el acelerador (si está equipado) en la posición FAST y haga girar el motor hasta que arranque.

#### Quando Opere El Equipo

- No incline el motor ni el equipo de forma que pueda derramarse el combustible.
- No use el estrangulador para detener el motor.
- Nunca encienda o haga funcionar el motor sin el conjunto del purificador de aire (si tiene) o el filtro de aire (si tiene).

#### Quando cambie el aceite

- Si usted drena el aceite por el tubo superior de llenado, el tanque de combustible debe estar vacío o el combustible puede derramarse y causar un incendio o una explosión.

#### Al inclinar la unidad para trabajos de mantenimiento

- Al realizar trabajos de mantenimiento que requieran inclinar la unidad, el tanque de combustible, si está montado en el motor, debe estar vacío o podría haber una fuga de combustible y generar un incendio o una explosión.

#### Quando Transporte el Equipo

- Transporte con el tanque de combustible VACÍO o con la válvula de cierre de combustible en la posición CLOSED.

#### Al almacenar el combustible o el equipo con combustible en el tanque

- Almacene a distancia de hornos, estufas, calentadores de agua u otros aparatos que utilicen testigos piloto u otras fuentes de encendido ya que estos pueden encender los vapores de gasolina.

- NO opere este producto dentro de hogares, garajes, sótanos, espacios reducidos, cobertizos u otros espacios parcialmente cerrados, incluso si usa ventiladores o deja las puertas y ventanas abiertas. El monóxido de carbono se puede acumular rápidamente en estos espacios y puede permanecer durante horas, incluso después de que se apaga este producto.
- SIEMPRE coloque este producto en la dirección del viento y apunte el escape del motor lejos de espacios habitados.



#### ADVERTENCIA

La retracción rápida de la cuerda de arranque (contragolpe) le halará la mano y el brazo hacia el motor más rápido de lo que usted la pueda dejar ir.

Podrían ocasionarse roturas de huesos, fracturas, moretones o torceduras.

- Cuando arranque el motor, tire lentamente de la cuerda hasta sentir resistencia y, a continuación, tire rápidamente de ella para evitar su retroceso.
- Remueva todas las cargas externas del equipo/motor antes de darle arranque al motor.
- Los componentes del equipo de acoplamiento directo, como cuchillas, impulsores, poleas, ruedas dentadas, entre otros, se deben colocar firmemente.



#### ADVERTENCIA

Las partes rotantes pueden tener contacto o enredar las manos, los pies, el cabello, la ropa o los accesorios.

Puede producirse una traumática amputación o una grave laceración.

- Opere el equipo con los protectores en su lugar.
- Mantenga las manos y los pies a distancia de las partes rotantes.
- Recoja el pelo largo y quítese cualquier joya.
- No use ropa floja, tiras que cuelguen o artículos que puedan ser agarrados.



#### ADVERTENCIA

El funcionamiento de los motores produce calor. Las partes de los motores, especialmente el silenciador, se calientan demasiado.

Pueden ocurrir graves quemaduras a causa de su contacto.

Desechos combustibles, tal como hojas, grama, maleza, etc. pueden alcanzar a encenderse.

- Deje que el silenciador, el cilindro y las aletas del motor se enfríen antes de tocarlos.
- Extraiga los desechos acumulados en el área del silenciador y en el área del cilindro.
- Es una violación del Código de Recursos Públicos de California, Sección 4442, utilizar u operar el motor en cualquier espacio con árboles, maleza o grama a menos que el sistema de escape esté equipado con un extintor de chispas, como lo define la Sección 4442, mantenido en correcto funcionamiento. Otros estados o jurisdicciones federales pueden tener leyes similares. Póngase en contacto con el vendedor, el distribuidor o el fabricante del equipo original para obtener un extintor de chispas diseñado para el sistema de escape instalado en este motor.



#### ADVERTENCIA

Un chispeo involuntario puede producir un incendio o una descarga eléctrica.

Una puesta en marcha involuntaria puede causar enredos, amputaciones traumáticas, o laceraciones.

Peligro de incendio

#### Antes de hacer ajustes o reparaciones:

- Desconecte el cable de la bujía y manténgalo lejos de la bujía.
- Desconecte la batería en la terminal negativa (únicamente motores con arranque eléctrico).
- Use solamente las herramientas correctas.
- No manipule el resorte del regulador, las conexiones u otras piezas para aumentar la velocidad del motor.
- Las piezas de repuesto deben ser del mismo diseño y deben ser instaladas en la misma posición que las piezas originales. Otras piezas pueden no funcionar igual de bien, pueden dañar la unidad, y pueden causar lesiones.



#### ADVERTENCIA

Dar arranque al motor crea chispeo.

El chispeo puede encender los gases inflamables cercanos.

Podría ocurrir una explosión o un incendio.

- Si hay una fuga de gas natural o gas propano LP en el área, no le de arranque al motor.
- No use líquidos de arranque presurizados ya que los vapores son inflamables.



#### ADVERTENCIA

**PELIGRO DE GAS TÓXICO.** El escape del motor contiene monóxido de carbono, un gas tóxico que puede matar en minutos. NO puede verlo, es inodoro e insípido. Incluso si no huele los gases del escape, puede estar expuesto al monóxido de carbono. Si comienza a sentirse mareado o débil cuando utiliza este producto, apáguelo y tome aire fresco INMEDIATAMENTE. Consulte a un médico. Puede haberse intoxicado con monóxido de carbono.

- Opere este producto SOLAMENTE al aire libre, lejos de ventanas, puertas y ventilaciones, para reducir el riesgo de que el monóxido de carbono se acumule y pueda circular a espacios habitados.
- Instale alarmas de monóxido de carbono con baterías o enchufe (batería de respaldo) siguiendo las instrucciones del fabricante. Las alarmas de humo no pueden detectar el monóxido de carbono.



- No golpee el volante con un martillo o un objeto duro, porque el volante más tarde puede romperse durante la operación.

#### Cuando compruebe chispa:

- Use un comprobador de bujías aprobado.
- No haga las pruebas de chispa sin la bujía en su lugar.

## Características y controles

### Controles del motor

Compare la ilustración (Figura: 1, 2) con su motor para familiarizarse con la ubicación de diversas características y controles.

- A. Números de identificación del motor **Modelo, Tipo, Código**
- B. Bujía
- C. Filtro de aire
- D. Varilla indicadora de nivel de aceite
- E. Tapón para el drenaje de aceite
- F. Parrilla de admisión de aire
- G. Filtro de aceite
- H. Arranque eléctrico
- I. Carburador
- J. Filtro de combustible (si tiene)
- K. Bomba de combustible (si tiene)
- L. Drenaje rápido de aceite (si tiene)
- M. Enfriador de aceite (si tiene)
- N. Unidad de control eléctrica (si tiene)
- O. Arranque de retroceso (si tiene)

### Símbolos de control y sus significados

Símbolo	Significado	Símbolo	Significado
	Velocidad del motor: rápida		Velocidad del motor: lenta
	Velocidad del motor: parado		ON - OFF
	Arranque del motor - Estrangulador ENCENDIDO		Arranque del motor - Estrangulador ENCENDIDO
	Combustible		

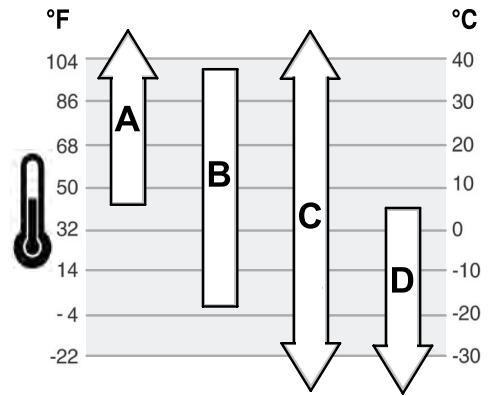
## Operación

### Recomendaciones de Aceite

**Capacidad de aceite:** Consulte la sección **Especificaciones**.

Se recomienda el uso de aceites certificados y garantizados Briggs & Stratton para obtener el mejor rendimiento. Otros aceites detergentes de alta calidad son aceptables si cuentan con la clasificación de servicio SG, SH, SJ o superior. No use aditivos especiales.

Las temperaturas exteriores determinan la viscosidad adecuada del aceite para el motor. Use la tabla para seleccionar la mejor viscosidad para el rango de temperatura exterior esperado.



<b>A</b>	<b>SAE 30</b> - El uso de SAE 30 a temperaturas inferiores a 4 °C (40 °F) provocará dificultades en el arranque.
<b>B</b>	<b>10W-30</b> -El uso de 10W-30 a temperaturas mayores a 27 °C (80 °F) puede provocar un aumento en el consumo de aceite. Compruebe el nivel de aceite con mayor frecuencia.
<b>C</b>	<b>Synthetic 5W-30</b>
<b>D</b>	<b>5W-30</b>

### Verificación del nivel de aceite

Vea la figura: 3

#### Antes de aprovisionar con aceite o de comprobar el nivel de aceite

- Asegúrese de que el motor esté nivelado.
- Limpie todos los desechos del área de llenado de aceite.

- Retire la varilla indicadora de nivel (A, Figura 3) y límpiela con un paño limpio.
- Instale y ajuste la varilla indicadora de nivel (A, Figura 3).
- Retire la varilla y verifique el nivel de aceite. El nivel de aceite debe estar en la parte superior del indicador de lleno (B, Figura 3) de la varilla indicadora de nivel de aceite.
- Si el nivel es bajo, agregue aceite lentamente en el llenado de aceite del motor (C, Figura 3). **No llene en exceso.** Después de añadir aceite, espere un minuto y luego vuelva a verificar el nivel de aceite.

**NOTA:** No agregue aceite en el drenaje rápido de aceite, si tiene. Para conocer la ubicación, consulte la sección **Características y controles**.

- Vuelva a instalar y ajuste la varilla indicadora de nivel de aceite (A, Figura 3).

### Sistema de protección contra bajo nivel de aceite (si está equipado)

Algunos motores vienen equipados con un sensor de bajo nivel de aceite. Si el nivel de aceite está bajo, el sensor activará una luz de advertencia o detendrá el motor. Pare el motor y siga estos pasos antes de volver a arrancarlo.

- Asegúrese de que el motor esté nivelado.
- Controle el nivel de aceite. Consulte la sección **Comprobación del nivel de aceite**.
- Si el nivel de aceite está bajo, agregue la cantidad adecuada de aceite. Arranque el motor y asegúrese de que la luz de advertencia (si tiene) no esté activada.
- Si el nivel de aceite no está bajo, no arranque el motor. Para hacer corregir el problema del aceite, póngase en contacto con un distribuidor de servicio autorizado de Briggs & Stratton.

### Recomendaciones de combustible

El combustible debe cumplir con los siguientes requisitos:

- Gasolina limpia y nueva, sin plomo.
- Un mínimo de 87 octanos/87 AKI (91 RON). Para uso en lugares elevados, ver a continuación.
- Gasolina con hasta un 10% de etanol (gasohol) es aceptable.

**AVISO** No use gasolinas no aprobadas, tales como E15 y E85. No mezcle aceite en la gasolina ni modifique el motor para que funcione con combustibles alternativos. El uso de combustibles no aprobados dañará a los componentes del motor, los que no estarán cubiertos bajo la garantía.

Para proteger el sistema de combustible contra la formación de goma, mézclele un estabilizador de combustible al combustible. Vea **Almacenaje**. Todos los combustibles no son iguales. Si ocurren problemas de desempeño o en el arranque, cambie de proveedor de combustible o de marca. El funcionamiento de este motor con gasolina está certificado. El sistema de control de emisiones de este motor es EM (Modificaciones del Motor).

## Gran altitud

En alturas de más de 5.000 pies (1524 metros), una gasolina con un mínimo de 85 octano/85 AKI(89 RON) es aceptable.

Para motores carburados es necesario el ajuste para gran altitud a fin de conservar el rendimiento. El funcionamiento sin este ajuste genera una disminución del rendimiento, un aumento del consumo de combustible y un incremento en las emisiones. Para obtener información sobre el ajuste de alta altitud, póngase en contacto con un distribuidor de servicio autorizado de Briggs & Stratton. No se recomienda operar el motor a alturas inferiores a los 762 metros (2500 pies) con el ajuste para gran altura.

Para los motores de con inyección electrónica de combustible (EFI), no es necesario ningún ajuste para gran altitud.

## Cómo agregar combustible

Vea la figura: 4



**El combustible y sus vapores son extremadamente inflamables y explosivos.**  
**Un incendio o una explosión pueden causar graves quemaduras o la muerte.**

### Al agregar combustible

- Apague el motor y deje que se enfríe por lo menos 2 minutos antes de remover la tapa del combustible.
  - Llène el tanque de combustible en exteriores o en un área bien ventilada.
  - No llene excesivamente el tanque de combustible. Para permitir la expansión del combustible no llene por encima de la parte inferior del cuello del tanque de combustible.
  - Mantenga el combustible alejado de chispas, llamas abiertas, testigos piloto, fuentes de calor y otras fuentes de encendido.
  - Compruebe con frecuencia si existen grietas o fugas en las mangueras de combustible, el tanque, la tapa y en los accesorios. Cámbielos si es necesario.
  - Si se derramó combustible, espere hasta que se haya evaporado antes arrancar el motor.
1. Limpie la tierra y la suciedad del área de la tapa del combustible. Retire la tapa del combustible.
  2. Llène el tanque de combustible (A, Figura 4) con combustible. Para permitir la expansión del combustible no llene por encima de la parte inferior del cuello del tanque de combustible (B).
  3. Re-instale la tapa de combustible.

## Arranque y parada del motor

Vea la figura: 5

### Arranque del motor



**El combustible y sus vapores son extremadamente inflamables y explosivos.**  
**Un incendio o una explosión pueden causar graves quemaduras o la muerte.**

### Cuando encienda el motor

- Asegúrese de que la bujía, el silenciador, la tapa del combustible y el purificador de aire (si tiene) estén colocados de modo seguro en su lugar.
- No haga girar el motor si retiró la bujía.
- Si el motor se inunda, ajuste el estrangulador (si tiene) en la posición de apertura/funcionamiento (OPEN/RUN), coloque el acelerador (si tiene) en la posición de velocidad rápida (FAST) y haga girar el motor hasta que arranque.



**PELIGRO DE GAS TÓXICO.** El escape del motor contiene monóxido de carbono, un gas tóxico que puede matar en minutos. **NO puede verlo, es inodoro e insípido. Incluso si no huele los gases del escape, puede estar expuesto al monóxido de carbono. Si comienza a sentirse mareado o débil cuando utiliza este producto, apáguelo y tome aire fresco INMEDIATAMENTE. Consulte a un médico. Puede haberse intoxicado con monóxido de carbono.**

- Opere este producto SOLAMENTE al aire libre, lejos de ventanas, puertas y ventilaciones, para reducir el riesgo de que el monóxido de carbono se acumule y pueda circular a espacios habitados.
- Instale alarmas de monóxido de carbono con baterías o enchufe (batería de respaldo) siguiendo las instrucciones del fabricante. Las alarmas de humo no pueden detectar el monóxido de carbono.
- NO opere este producto dentro de hogares, garajes, sótanos, espacios reducidos, cobertizos u otros espacios parcialmente cerrados, incluso si usa ventiladores o deja las puertas y ventanas abiertas. El monóxido de carbono se puede acumular rápidamente en estos espacios y puede permanecer durante horas, incluso después de que se apaga este producto.
- SIEMPRE coloque este producto en la dirección del viento y apunte el escape del motor lejos de espacios habitados.

**AVISO** Este motor fue enviado desde Briggs & Stratton sin aceite. Antes de arrancar el motor, asegúrese de agregar aceite según las instrucciones de este manual. Si arranca el motor sin aceite, sufrirá daños irreparables que la garantía no cubrirá.

### Identificación del sistema de arranque

Antes de arrancar el motor, deberá identificar el tipo de sistema de arranque que tiene su motor. Su motor tendrá uno de los siguientes tipos.

- **Sistema electrónico para la administración de combustible:** Este sistema cuenta con una unidad de control electrónica que controla el estado del motor y la temperatura. Este tipo no tiene un estrangulador manual o cebador.
- **Sistema con estrangulador:** Este sistema cuenta con un estrangulador que se usa para el arranque en temperaturas bajas. Algunos modelos tendrán un control del estrangulador separado, mientras que otros tendrán un control con combinación de estrangulador/acelerador. Este tipo no tiene un cebador.

Para arrancar su motor, siga las instrucciones de su tipo de sistema de arranque.

**NOTA:** El equipo puede tener controles remotos. Consulte el manual del equipo para conocer la ubicación y el funcionamiento de los controles remotos.

### Sistema electrónico para la administración de combustible

1. Verifique el nivel de aceite en el motor. Consulte la sección **Verificación del nivel de aceite**.
2. Asegúrese de que los controles de transmisión del equipo, si tiene, estén desconectados.
3. Mueva la válvula de cierre de combustible (A, Figura 5), si tiene, a la posición de apertura (OPEN).
4. Mueva el control del acelerador (B, Figura 5), si tiene, a la posición de velocidad rápida (FAST). Opere el motor en la posición de velocidad rápida (FAST).
5. **Arranque por rebobinado, si tiene, con interruptor de llave:** Gire el interruptor de llave (D, Figura 5) a la posición de encendido (ON).
6. **Arranque por rebobinado, si tiene:** Sostenga firmemente la manija de la cuerda de arranque (E, Figura 5). Tire lentamente de la cuerda de arranque hasta sentir una resistencia y, a continuación, tire de ella rápidamente.



La retracción rápida de la cuerda de arranque (retroceso violento) le halará la mano y el brazo hacia el motor antes de que pueda soltarla. Podrían ocasionarse roturas de huesos, fracturas, moretones o torceduras. Cuando arranque el motor, tire lentamente de la cuerda hasta sentir resistencia y, a continuación, tire rápidamente de ella para evitar su retroceso.

7. **Arranque eléctrico, si tiene:** Gire el interruptor de encendido eléctrico (D, Figura 5) a la posición de encendido o arranque (ON o START).

**AVISO** Para prolongar la vida útil del arrancador, use ciclos cortos de arranque (cinco segundos como máximo). Espere un minuto entre los ciclos de arranque.

**NOTA:** Si el motor no arranca después de varios intentos, comuníquese con su distribuidor local o vaya a **BRIGGSandSTRATTON.com** o llame al **1-800-233-3723** (en EE. UU.).

## Sistema con estrangulador

1. Verifique el nivel de aceite en el motor. Consulte la sección **Verificación del nivel de aceite**.
2. Asegúrese de que los controles de transmisión del equipo, si tiene, estén desconectados.
3. Mueva la válvula de cierre de combustible (A, Figura 5), si tiene, a la posición de apertura (OPEN).
4. Mueva el control del acelerador (B, Figura 5), si tiene, a la posición de velocidad rápida (FAST). Opere el motor en la posición de velocidad rápida (FAST).
5. Mueva el control del estrangulador (C, Figura 5), o la combinación del estrangulador y acelerador (B C), a la posición de cierre (CLOSED).

**NOTA:** Generalmente no es necesario el estrangulador para volver a arrancar un motor caliente.

6. **Arranque por rebobinado, si tiene, con interruptor de llave:** Gire el interruptor de llave (D, Figura 5) a la posición de encendido (ON).
7. **Arranque por rebobinado, si tiene:** Sostenga firmemente la manija de la cuerda de arranque (E, Figura 5). Tire lentamente de la cuerda de arranque hasta sentir una resistencia y, a continuación, tire de ella rápidamente.



### ADVERTENCIA

La retracción rápida de la cuerda de arranque (retroceso violento) le halará la mano y el brazo hacia el motor antes de que pueda soltarla. Podrían ocasionarse roturas de huesos, fracturas, moretones o torceduras. Cuando arranque el motor, tire lentamente de la cuerda hasta sentir resistencia y, a continuación, tire rápidamente de ella para evitar su retroceso.

8. **Arranque eléctrico, si tiene:** Gire el interruptor de encendido eléctrico (D, Figura 5) a la posición de encendido o arranque (ON o START).

**AVISO** Para prolongar la vida útil del arrancador, use ciclos cortos de arranque (cinco segundos como máximo). Espere un minuto entre los ciclos de arranque.

9. A medida que se caliente el motor, mueva el control del estrangulador (C, Figura 5) a la posición de apertura (OPEN).

**NOTA:** Si el motor no arranca después de varios intentos, comuníquese con su distribuidor local o vaya a **BRIGGSandSTRATTON.com** o llame al **1-800-233-3723** (en EE. UU.).

## Parada del motor



### ADVERTENCIA

El combustible y sus vapores son extremadamente inflamables y explosivos.

Un incendio o una explosión pueden causar graves quemaduras o la muerte.

- No estrangule el carburador para detener el motor.
1. Desconecte los controles del equipo. Consulte el manual del equipo para conocer la ubicación y el funcionamiento de los controles remotos.
  2. Mueva el control del acelerador (B, Figura 5), si tiene, a la posición de velocidad lenta (SLOW).
  3. Gire el interruptor de llave (D, Figura 5) a la posición de apagado o parada (OFF o STOP). Retire la llave y guárdela en un lugar seguro fuera del alcance de los niños.
  4. Una vez que se detiene el motor, mueva la válvula de cierre de combustible (A, Figura 5), si tiene, a la posición de cierre (CLOSED).

## Mantenimiento

**AVISO** Si el motor se inclina durante el mantenimiento, el tanque de combustible, si está montado en el motor, se debe vaciar y el lado de la bujía debe estar hacia arriba. Si el tanque de combustible no está vacío y si el motor se inclina en cualquier otra dirección, puede resultar difícil arrancarlo debido a que el aceite o la gasolina contaminan el filtro de aire o la bujía.



### ADVERTENCIA

Al realizar trabajos de mantenimiento que requieran inclinar la unidad, el tanque de combustible, si está montado en el motor, debe estar vacío o podría haber una fuga de combustible y generar un incendio o una explosión.

Le recomendamos que consulte a cualquier distribuidor autorizado de Briggs & Stratton para el mantenimiento y reparación del motor y para obtener piezas del motor.

**AVISO** Todos los componentes utilizados para construir este motor deben permanecer en su lugar para su correcto funcionamiento.



### ADVERTENCIA



Un chispeo involuntario puede producir un incendio o una descarga eléctrica.

Una puesta en marcha involuntaria puede causar enredos, amputaciones traumáticas o laceraciones.

Peligro de incendio

Antes de hacer ajustes o reparaciones:

- Desconecte el cable de la bujía y manténgalo lejos de la bujía.
- Desconecte la batería en la terminal negativa (únicamente motores con arranque eléctrico).
- Use solamente las herramientas correctas.
- No manipule el resorte del regulador, las conexiones u otras piezas para aumentar la velocidad del motor.
- Las piezas de repuesto deben ser del mismo diseño y deben ser instaladas en la misma posición que las piezas originales. Otras piezas pueden no funcionar igual de bien, pueden dañar la unidad, y pueden causar lesiones.
- No golpee el volante con un martillo o un objeto duro, porque el volante más tarde puede romperse durante la operación.

Cuando compruebe chispa:

- Use un comprobador de bujías aprobado.
- No haga las pruebas de chispa sin la bujía en su lugar.

## Servicio de control de emisiones

Cualquier establecimiento o individuo especializado en la reparación de motores que no sean de automoción puede encargarse del mantenimiento, la sustitución y la reparación de los dispositivos y sistemas de control de emisiones. Sin embargo, para recibir el servicio de control de emisiones "sin cargo", debe realizarlo un distribuidor autorizado por la fábrica. Ver Declaraciones de Control de Emisiones.

## Plan de mantenimiento

Las primeras 5 horas
<ul style="list-style-type: none"><li>• Cambie el aceite <sup>2</sup></li></ul>
Cada 8 horas o diariamente
<ul style="list-style-type: none"><li>• Compruebe el nivel del aceite del motor</li><li>• Limpie el área alrededor del silenciador y los controles</li></ul>
Cada 25 horas o anualmente
<ul style="list-style-type: none"><li>• Limpie el filtro de aire <sup>1</sup></li></ul>
Cada 50 horas o anualmente
<ul style="list-style-type: none"><li>• Cambie el aceite del motor <sup>3</sup></li><li>• Reemplace el filtro de aceite (si tiene) <sup>3</sup></li><li>• Realice el mantenimiento del sistema de escape</li></ul>
Cada 100 horas o anualmente
<ul style="list-style-type: none"><li>• Cambie el aceite del motor <sup>4</sup></li><li>• Reemplace el filtro de aceite (si tiene) <sup>4</sup></li></ul>
Cada 250 horas
<ul style="list-style-type: none"><li>• Cambie el filtro de aire</li></ul>
Anualmente

- Sustituya las bujías
- Sustituya el filtro de aire
- Sustituya el pre-filtro
- Sustituya el filtro de combustible
- Realice el mantenimiento del sistema de enfriamiento <sup>1</sup>
- Verifique el espacio libre de la válvula <sup>5</sup>

<sup>1</sup> Limpie con mayor frecuencia en condiciones de mucho polvo o cuando el aire contenga muchas partículas.

<sup>2</sup> Solo para los motores sin filtro de aceite.

<sup>3</sup> Motores sin filtro de aceite o con filtro de aceite de color negro estándar (consulte la página de **Especificaciones** para conocer el número de parte).

<sup>4</sup> Motores con filtro de aceite de color amarillo o anaranjado de alta eficacia (consulte la página de **Especificaciones** para conocer el número de parte).

<sup>5</sup> No se requiere a menos que se detecten problemas de desempeño en el motor.

## Sistema electrónico de gestión de combustible

El sistema controla la temperatura y la velocidad del motor y el voltaje de la batería para ajustar el estrangulador durante el arranque y el calentamiento. El sistema no tiene ajustes. Si hay problemas de arranque o funcionamiento, póngase en contacto con un distribuidor autorizado de Briggs & Stratton.

**AVISO** Asegúrese de seguir los pasos que figuran a continuación; de lo contrario, el sistema electrónico de gestión de combustible podría dañarse.

- Nunca arranque el motor si los cables de la batería están flojos.
- Gire la llave a la posición de apagado (OFF) antes de desconectar, retirar o instalar la batería.
- Nunca use un cargador de baterías para arrancar el motor.
- Nunca desconecte los cables de la batería mientras el motor esté en funcionamiento.
- Al conectar los cables de la batería, conecte el cable positivo (+) primero, y luego conecte el cable negativo (-) a la batería.
- Al cargar la batería, gire el interruptor de encendido a la posición de apagado (OFF) y desconecte el cable negativo (-) de la batería.
- No rocíe con agua el módulo de control electrónico.

## Velocidad del motor y carburador

Nunca realice ajustes a la velocidad del motor o carburador. El carburador ha sido calibrado en la fábrica para funcionar de manera óptima en la mayoría de las condiciones de uso. No interfiera con el resorte del regulador, las varillas u otras partes a fin de modificar la velocidad del motor. Si son necesarios ajustes póngase en contacto con un Distribuidor de Servicio Autorizado de Briggs & Stratton para que le presten el servicio.

**AVISO** El fabricante del equipo especifica la velocidad máxima del motor como está instalado en el equipo. **No exceda esta** velocidad. Si no está seguro de cuál es la velocidad máxima del equipo, o cuál era la velocidad del motor **ajustada** en la fábrica, póngase en contacto con un Distribuidor de Servicio Autorizado de Briggs & Stratton para obtener ayuda. Para un funcionamiento seguro y adecuado del equipo, la velocidad del motor debe ser ajustada solamente por un técnico de servicio calificado.

## Revisión de la bujía

Vea la figura: 6

Revise el entre-hierro (A, Figura 6) con un calibrador de alambre (B). Si es necesario, vuelva a establecer la distancia. Instale y ajuste la bujía al par recomendado. Para el ajuste del entre-hierro o el par de apriete, consulte la sección **Especificaciones**.

**NOTA:** En algunas áreas, las leyes locales requieren el uso de una bujía con resistencia para suprimir las señales de encendido. Si este motor vino originalmente equipado con una bujía con resistencia, use el mismo tipo de bujía cuando la reemplace.

## Realice el mantenimiento del sistema de escape



**ADVERTENCIA**

El funcionamiento de los motores produce calor. Las partes de los motores, especialmente el silenciador, se calientan demasiado.

Pueden ocurrir graves quemaduras al tocarlas.

Los desechos combustibles, tales como hojas, grama, maleza, etc., pueden prenderse fuego.

- Deje que el silenciador, el cilindro y las aletas del motor se enfríen antes de tocarlos.
- Extraiga los desechos acumulados en el área del silenciador y en el área del cilindro.
- Es una violación del Código de Recursos Públicos de California, Sección 4442, utilizar u operar el motor en cualquier espacio con árboles, maleza o grama a menos que el sistema de escape esté equipado con un extintor de chispas, como lo define la Sección 4442, mantenido en correcto funcionamiento. Otros estados o jurisdicciones federales pueden tener leyes similares. Póngase en contacto con el vendedor, el distribuidor o el fabricante del equipo original para obtener un extintor de chispas diseñado para el sistema de escape instalado en este motor.

Las piezas del sistema de escape han sido instaladas por el fabricante. Para obtener información específica sobre el mantenimiento y las piezas de reemplazo, comuníquese con el fabricante.

Quite los desechos acumulados en el área del silenciador y del cilindro. Inspeccione el silenciador en busca de grietas, corrosión u otros daños. Quite el deflector o el extintor de chispas (B), si tiene, e inspecciónelo para ver si hay daños o bloqueo de carbono. Si se detecta algún daño, instale las piezas de repuesto antes de poner el motor en funcionamiento.



**ADVERTENCIA**

Las piezas de reemplazo deben ser del mismo diseño y deben ser instaladas en la misma posición que las piezas originales. Otras piezas pueden no funcionar igual de bien, pueden dañar la unidad y pueden causar lesiones.

## Cambie el aceite del motor

Vea la figura: 7, 8, 9, 10, 11

El aceite usado es un peligroso producto de desecho y debe eliminarse en forma adecuada. No lo deseche con los residuos domésticos. Consulte con sus autoridades locales, su centro de servicio o su distribuidor para conocer las instalaciones para su disposición/reciclaje seguro.

### Remoción del aceite

1. Con el motor apagado pero aún caliente, desconecte el(los) cable(s) de bujía (D, Figura 7) y aléjelo(s) de la(s) bujía(s) (E).
2. Retire la varilla indicadora de nivel de aceite (A, Figura 8).

### Tapón para el drenaje de aceite, si tiene

1. Retire el tapón para el drenaje de aceite (F, Figura 8). Drene el aceite en un recipiente aprobado.

**NOTA:** Cualquiera de los tapones para el drenaje de aceite (G, Figura 8) se puede instalar en el motor.

2. Después de haber drenado el aceite, instale y apriete el tapón para el drenaje de aceite (F, Figura 8).

### Drenaje rápido de aceite, si tiene

1. Desconecte la manguera del drenaje rápido de aceite (H, Figura 9) del lateral del motor.
2. Gire y retire la tapa del drenaje de aceite (I, Figura 9). Vierta cuidadosamente el contenido del drenaje rápido de aceite (H) en un recipiente aprobado (J).
3. Después de haber drenado el aceite, instale la tapa del drenaje rápido de aceite (I, Figura 9). Conecte la manguera del drenaje rápido de aceite (H) al lateral del motor.



## Cambio del filtro de aceite, si tiene

Algunos modelos vienen equipados con un filtro de aceite. Para conocer los intervalos de reemplazo, consulte el **Plan de mantenimiento**.

1. Escorra el aceite del motor. Vea la sección **Remoción del aceite**.
2. Retire el filtro de aceite (K, Figura 10) y deséchelo de forma adecuada.
3. Antes de instalar el nuevo filtro de aceite, lubrique ligeramente el empaque del filtro de aceite con aceite fresco y limpio.
4. Instale el filtro de aceite con la mano hasta que el empaque haga contacto con el adaptador del filtro de aceite, luego apriete el filtro de aceite de 1/2 a 3/4 de vuelta.
5. Agregue aceite. Vea la sección **Aprovisionamiento de aceite**.
6. Arranque y haga funcionar el motor. A medida que el motor se caliente, verifique que no haya fugas de aceite.
7. Detenga el motor y verifique el nivel de aceite. El nivel de aceite debe estar en la parte superior del indicador de lleno (B, Figura 11) de la varilla indicadora de nivel de aceite.

## Aprovisionamiento de aceite

- Asegúrese de que el motor esté nivelado.
  - Limpie todos los desechos del área de llenado de aceite.
  - Consulte la **sección Especificaciones** para obtener la capacidad de aceite.
1. Retire la varilla indicadora de nivel (A, Figura 11) y séquela con un paño limpio.
  2. Agregue aceite lentamente en el llenado de aceite del motor (C, Figura 11). **No llene en exceso**. Después de añadir aceite, espere un minuto y compruebe el nivel de aceite.

**NOTA:** No agregue aceite en el drenaje rápido de aceite (H, Figura 9), si tiene.

3. Instale y ajuste la varilla indicadora de nivel (A, Figura 11).
4. Retire la varilla y verifique el nivel de aceite. El nivel de aceite debe estar en la parte superior del indicador de lleno (B, Figura 11) de la varilla indicadora de nivel de aceite.
5. Vuelva a instalar la varilla y ajústela (A, Figura 11).
6. Conecte el(los) cable(s) de la(s) bujía(s) (D, Figura 7) a la(s) bujía(s) (E).

## Mantenimiento del filtro de aire

Vea la figura: 12, 13



**ADVERTENCIA**

**El combustible y sus vapores son extremadamente inflamables y explosivos.**

**Un incendio o una explosión pueden causar graves quemaduras o la muerte.**

- Nunca encienda o haga funcionar el motor sin el conjunto del purificador de aire (si tiene) o el filtro de aire (si tiene).

**AVISO** No use aire comprimido ni solventes para limpiar el filtro. El aire comprimido puede dañar el filtro y los solventes lo disuelven.

Consulte el **Plan de mantenimiento** para conocer los requerimientos de mantenimiento.

1. Afloje el(los) sujetador(es) (A, Figura 12) y retire la cubierta (B).
2. Abra el pasador (C, Figura 13) y retire el filtro (D).
3. Separe el pre-filtro (E, Figura 13), si tiene, del filtro (D).
4. Golpetee el filtro contra una superficie dura para desprender los residuos. Si el filtro está excesivamente sucio, cámbielo por otro nuevo.
5. Lave el pre-filtro en detergente líquido y agua. Luego deje que se seque al aire completamente. **No engrase el pre-filtro.**
6. Monte el pre-filtro seco (E, Figura 13) en el filtro (D).
7. Instale el filtro (D, Figura 12) y cierre el pasador (C).
8. Instale la cubierta (B, Figura 12) y asegure con el(los) sujetador(es) (A).

## Realice el mantenimiento del sistema de combustible

Vea la figura: 14, 15



**ADVERTENCIA**

**El combustible y sus vapores son extremadamente inflamables y explosivos.**

**Un incendio o una explosión pueden causar graves quemaduras o la muerte.**

- Mantenga el combustible alejado de chispas, llamas abiertas, testigos piloto, fuentes de calor y otras fuentes de encendido.
- Compruebe con frecuencia si existen grietas o fugas en las mangueras de combustible, el tanque, la tapa y en los accesorios. Cámbielos si es necesario.
- Antes de limpiar o reemplazar el filtro, drene el tanque de combustible o cierre la válvula de cierre de combustible.
- Si se derramó combustible, espere hasta que se haya evaporado antes de arrancar el motor.
- Los repuestos deben ser los mismos e instalarse en la misma posición que las piezas originales.

## Filtro de Combustible, si está equipado

1. Antes de limpiar o reemplazar el filtro de combustible (A, Figura 14), drene el tanque de combustible o cierre la válvula de cierre de combustible. De lo contrario, puede presentarse una fuga de combustible y causar un incendio o una explosión.
2. Use pinzas para agarrar las pestañas (B, Figura 14) sobre las abrazaderas (C), luego aleje las abrazaderas del filtro de combustible (A). Retire las mangueras de combustible (C) del filtro de combustible.
3. Inspeccione las líneas de combustible (D, Figura 14) en busca de grietas o fugas. Cámbielos si es necesario.
4. Reemplace el filtro de combustible (A, Figura 14) con un filtro de repuesto genuino.
5. Asegure las líneas de combustible (D, Figura 14) con abrazaderas (C) como se muestra.

## Filtro de Combustible, si está equipado

1. Quite la tapa del combustible (A, Figura 15).
2. Quite el colador del combustible (B, Figura 15).
3. Si el colador del combustible está sucio, límpielo o reemplácelo. Si reemplaza el colador del combustible, asegúrese de usar un filtro de combustible de reemplazo original para el equipo.

## Mantenimiento del sistema de enfriamiento

Vea la figura: 16, 17



**ADVERTENCIA**

**El funcionamiento de los motores produce calor. Las partes de los motores, especialmente el silenciador, se calientan demasiado.**

**Pueden ocurrir graves quemaduras al tocarlas.**

**Los desechos combustibles, tales como hojas, grama, maleza, etc., pueden prenderse fuego.**

- Deje que el silenciador, el cilindro y las aletas del motor se enfríen antes de tocarlos.
- Extraiga los desechos acumulados en el área del silenciador y en el área del cilindro.

**AVISO** No use agua para limpiar el motor. El agua puede contaminar el sistema de combustible. Use un cepillo o un paño húmedo para limpiar el motor.

El motor es refrigerado por aire. La suciedad o los desechos pueden limitar el flujo de aire y provocar que el motor se sobrecaliente, lo cual disminuye su rendimiento y su vida útil.

1. Utilice un cepillo o paño seco para remover los desechos del área de admisión de aire (A, Figura 16).
2. Mantenga las conexiones, los resortes y los controles (B, Figura 16) limpios.
3. Mantenga la parte posterior del silenciador y la zona que lo rodea libre de desechos combustibles.
4. Asegúrese de que las aletas del enfriador de aceite (C, Figura 16) no presenten suciedad ni residuos.
5. Afloje el(los) sujetador(es) (D, Figura 16) y retire la cubierta del filtro de aire (E).
6. Afloje el(los) sujetador(es) (F, Figura 16) y abra los paneles de acceso a los residuos (G, Figura 17). Retire los restos de césped y desechos que se hayan acumulado en los cilindros.

- Cierre los paneles de acceso a los residuos (G, Figura 17) y asegure con el(los) sujetador(es) (F, Figura 16).
- Instale la cubierta (E, Figura 16) y asegúrela con el(los) sujetador(es) (D).

Después de un período de tiempo, se pueden acumular residuos en las aletas de enfriamiento del cilindro y causar el sobrecalentamiento del motor. Los residuos no se pueden eliminar mientras no se desmonte parcialmente el motor. Solicite a un distribuidor autorizado de Briggs & Stratton que inspeccione y limpie el sistema de enfriamiento de aire según las recomendaciones del **Plan de mantenimiento**.

## Bodegaje



**ADVERTENCIA**

**El combustible y sus vapores son extremadamente inflamables y explosivos.**

**Un incendio o una explosión pueden causar graves quemaduras o la muerte.**

### Al almacenar el combustible o el equipo con combustible en el tanque

- Almacene a distancia de hornos, estufas, calentadores de agua u otros aparatos que utilicen testigos piloto u otras fuentes de encendido ya que estos pueden encender los vapores de gasolina.

**AVISO** Almacene el nivel del motor (posición de operación normal). Si el motor se inclina durante el mantenimiento, el tanque de combustible, si está montado en el motor, se debe vaciar y el lado de la bujía debe estar hacia arriba. Si el tanque de combustible no está vacío y si el motor se inclina en cualquier otra dirección, puede resultar difícil arrancarlo debido a que el aceite o la gasolina contaminan el filtro de aire o la bujía.

### Sistema de Combustible

El combustible puede echarse a perder si se lo almacena durante más de 30 días. El combustible pasado provoca la formación de residuos ácidos y de carbonilla en el sistema de combustible y en los componentes básicos del carburador. Para mantener el combustible fresco, utilice el **Estabilizador y Tratamiento de Combustible de Fórmula Avanzada Briggs & Stratton**, disponible en los lugares de venta de piezas de servicio originales Briggs & Stratton.

No es necesario vaciar el motor de gasolina si se agrega estabilizador de combustible conforme a las instrucciones. Haga funcionar el motor durante dos (2) minutos para que el estabilizador circule por todo el sistema de combustible antes del almacenamiento.

Si no se ha agregado un estabilizador de combustible a la gasolina del motor, deberá vaciarla completamente usando un contenedor aprobado. Opere el motor hasta que se detenga por falta de combustible. Se recomienda usar un estabilizador de combustible en el contenedor de almacenamiento para mantener el combustible en perfecto estado.

### Aceite del Motor

Cambie el aceite del motor mientras que el motor se encuentre todavía caliente. Consulte la sección **Cambio de aceite del motor**.

## Detección de fallas

Para obtener ayuda, comuníquese con su distribuidor local o vaya a **BRIGGSandSTRATTON.com** o llame al **1-800-233-3723** (en EE. UU.).

## Especificaciones

Modelo: 400000	
Desplazamiento	40.03 ci (656 cc)
Diámetro interno del cilindro	2.970 in (75,43 mm)
Carrera	2.890 in (73,41 mm)
Capacidad de aceite	62 - 64 oz (1,8 - 1,9 L)
Entrehierro de la bujía	.030 in (.76 mm)
Torque de la bujía	180 lb-in (20 Nm)
Entrehierro inducido	.008 - .012 in (.20 - .30 mm)
Tolerancia de la válvula de admisión	.004 - .006 in (.10 - .15 mm)
Tolerancia de la válvula de escape	.004 - .006 in (.10 - .15 mm)

Modelo: 440000	
Desplazamiento	44.18 ci (724 cc)

Modelo: 440000	
Diámetro interno del cilindro	3.120 in (79,24 mm)
Carrera	2.890 in (73,41 mm)
Capacidad de aceite	62 - 64 oz (1,8 - 1,9 L)
Entrehierro de la bujía	.030 in (.76 mm)
Torque de la bujía	180 lb-in (20 Nm)
Entrehierro inducido	.008 - .012 in (.20 - .30 mm)
Tolerancia de la válvula de admisión	.004 - .006 in (.10 - .15 mm)
Tolerancia de la válvula de escape	.004 - .006 in (.10 - .15 mm)

Modelo: 490000	
Desplazamiento	49.42 ci (810 cc)
Diámetro interno del cilindro	3.300 in (83,81 mm)
Carrera	2.890 in (73,41 mm)
Capacidad de aceite	66 - 68 oz (1,9 - 2,0 L)
Entrehierro de la bujía	.030 in (.76 mm)
Torque de la bujía	180 lb-in (20 Nm)
Entrehierro inducido	.008 - .012 in (.20 - .30 mm)
Tolerancia de la válvula de admisión	.004 - .006 in (.10 - .15 mm)
Tolerancia de la válvula de escape	.004 - .006 in (.10 - .15 mm)

La potencia del motor se reducirá un 3,5 % por cada 300 metros (1000 pies) de altitud sobre el nivel del mar, y un 1 % por cada 5,6 °C (10 °F) por encima de 25 °C (77 °F). El funcionamiento del motor será satisfactorio hasta un ángulo de inclinación de 15°. Refiérase al manual del operador del equipo para obtener información acerca de los límites de operación seguros permitidos en pendientes.

Piezas de servicio - Modelo: 400000, 440000, 490000	
Parte de servicio	Número de parte
Filtro de aire ciclónico	798897
Pre-filtro de filtro de aire	593217
Aceite - SAE 30	100028
Filtro de aire, estándar - color negro	492932
Filtro de aire, de alta eficacia - color amarillo	795890
Filtro de aire, de alta eficacia - color anaranjado	798576
Aditivo para el combustible	100117, 100120
Filtro de combustible	691035
Bujía con resistencia	491055
Bujía de platino de larga duración	5066
Llave de bujía	19374
Probador de chispa	19368

Le recomendamos que consulte a cualquier distribuidor autorizado de Briggs & Stratton para el mantenimiento y la reparación del motor y para obtener piezas del motor.

**Potencia nominal:** La calificación de potencia bruta para los modelos de motor de gasolina individual está designada conforme al código SAE (Sociedad de Ingenieros Automotrices) J1940, Procedimiento de calificación de potencia y torsión para motores pequeños, y SAE J1995. Los valores de torsión se derivan a 2600 r. p. m. en el caso de los motores con las "r. p. m." indicadas en la etiqueta y a 3060 r. p. m. en todos los otros casos; los valores de potencia en caballos de fuerza se derivan a 3600 r. p. m. Las curvas de potencia bruta se pueden ver en [www.BRIGGSandSTRATTON.COM](http://www.BRIGGSandSTRATTON.COM). Los valores de potencia neta se obtienen con un filtro de aire y escape instalado, mientras que los valores de potencia bruta se recopilan sin estos accesorios. La potencia bruta real del motor es inferior y depende, entre otros factores, de las condiciones ambientales de uso y de las variaciones entre distintos motores del mismo modelo. Dada la amplia gama de productos donde se colocan los motores, el motor de gasolina puede no desarrollar la potencia bruta nominal cuando se usa en una pieza del equipo de potencia determinada. Esta diferencia se debe, entre otros, a los siguientes factores: accesorios (filtro de aire, escape, carga, refrigeración, carburador, bomba de combustible, etc.), limitaciones de la aplicación, condiciones ambientales de uso (temperatura, humedad, altitud) y variaciones entre distintos motores de un mismo modelo. Debido a limitaciones de fabricación y capacidad, Briggs & Stratton puede sustituir un motor de una potencia nominal mayor por un motor de esta serie.

# Garantía

## Garantía para motores Briggs & Stratton

Vigente a partir de enero de 2016

### Garantía limitada

Briggs & Stratton garantiza que, durante el período de garantía especificado a continuación, reparará o reemplazará, sin cargo, cualquier pieza defectuosa en cuanto a material, mano de obra o ambos. Los gastos de transporte del producto sometido a reparación o cambio conforme a garantía estarán a cargo del comprador. Esta garantía se mantiene vigente durante los períodos de tiempo indicados a continuación y está sujeta a dichos períodos y a las condiciones presentadas a continuación. Para servicio de garantía, localice al distribuidor de servicio autorizado más cercano en nuestro mapa de localización de distribuidores en BRIGGSandSTRATTON.COM. El comprador debe ponerse en contacto con el distribuidor de servicio autorizado y entregarle el producto para la inspección y prueba.

**No existe ninguna otra garantía explícita. Las garantías implícitas, incluidas las de comerciabilidad y aptitud para una finalidad específica, están limitadas al período de garantía mencionado a continuación, o en la medida que lo permita la ley.** La responsabilidad de daños fortuitos o consecuentes queda excluida en la medida que dicha exclusión esté permitida por ley. Algunos estados o países no contemplan limitaciones en cuanto a la duración de una garantía implícita, y otros estados o países no permiten la exclusión o limitación de daños consecuentes o incidentales, en cuyo caso la limitación y la exclusión anteriores pueden no ser aplicables a usted. Esta garantía le da derechos legales específicos, pudiendo tener a su vez otros derechos que varían de un estado a otro o de un país a otro <sup>4</sup>.

Términos de la garantía estándar <sup>1, 2</sup>		
Marca / Nombre del producto	Uso privado	Uso Comercial
Vanguard™ <sup>3</sup>	36 meses	36 meses
Commercial Turf Series™ ; Serie comercial	24 meses	24 meses
Motores con Manga de Fundición Dura-Bore™	24 meses	12 meses
Todos los otros motores Briggs & Stratton	24 meses	3 meses

<sup>1</sup> Estos son nuestros términos estándares de garantía, pero ocasionalmente puede haber una cobertura de garantía adicional no determinada en el momento de la publicación. Para obtener una lista de los términos actuales de garantía para su motor, vaya a BRIGGSandSTRATTON.com o contáctese con el distribuidor de servicio autorizado de Briggs & Stratton.

<sup>2</sup> No existe garantía para motores en equipos utilizados como fuente primaria de energía en lugar de un servicio público o para generadores de reserva utilizados para fines comerciales. Los motores usados en carreras competitivas o en camiones comerciales o de alquiler no están cubiertos por la garantía.

<sup>3</sup> Vanguard instalado en generadores de reserva: Uso de 24 meses para consumidor, sin garantía para uso comercial. Vanguard instalado en vehículos utilitarios: Uso de 24 meses para consumidor, uso comercial de 24 meses. Motor Vanguard de 3 cilindros refrigerado con líquido: consulte la Política de garantía del Motor de 3 cilindros refrigerado con líquido Briggs & Stratton.

<sup>4</sup> En Australia - Nuestros productos vienen con garantías que no se pueden excluir bajo la Ley australiana de protección al consumidor. Usted tiene derecho a una sustitución o a un reembolso por una avería importante y a compensación por cualquier otra pérdida o daño razonablemente previsible. También tiene derecho a una reparación o sustitución de productos si estos no son de una calidad aceptable y la avería no asciende a una avería más importante. Para obtener el servicio de garantía, busque al distribuidor de servicio autorizado más cercano en el mapa localizador de distribuidores en BRIGGSandSTRATTON.COM o llamando al 1300 274 447, o mediante un correo electrónico o carta a salesenquiries@briggsandstratton.com.au, Briggs & Stratton Australia Pty Ltd., 1 Moorebank Avenue, Moorebank, NSW, Australia, 2170.

El período de garantía comienza en la fecha original de compra por parte del primer consumidor minorista o comercial. "Uso del consumidor" significa uso doméstico personal por parte de un consumidor final. "Uso comercial" significa cualquier otro uso, incluidos los usos con fines comerciales, de generación de ingresos o alquiler. Una vez que el motor haya estado sujeto a uso comercial, será considerado en adelante como motor de uso comercial para fines de esta garantía.

**Guarde su recibo de compra. Si no aporta constancia de la fecha de compra inicial al solicitar el servicio de garantía, se tomará la fecha de fabricación del producto para determinar el período de garantía. No se requiere el registro de producto para obtener servicio de garantía en los productos de Briggs & Stratton.**

### Acerca de su Garantía

Esta garantía limitada cubre únicamente problemas de materiales y/o mano de obra asociados al motor, y no la sustitución o el reembolso del equipo en el que el motor puede estar montado. El mantenimiento de rutina, la puesta a punto, los ajustes o el desgaste normal no están cubiertos bajo esta garantía. Asimismo, la garantía queda anulada si el

motor ha sido alterado o modificado o si el número de serie del motor ha sido desfigurado o eliminado. Esta garantía no cubre daños al motor o problemas de desempeño causados por:

1. El uso de piezas que no son piezas originales Briggs & Stratton;
2. El funcionamiento del motor con aceite lubricante insuficiente, contaminado o de grado incorrecto;
3. El uso de combustible contaminado o rancio, gasolina formulada con un contenido de etanol mayor de 10%, o el uso de combustibles alternativos tales como gas licuado del petróleo o gas natural en motores no diseñados o fabricados originalmente por Briggs & Stratton para operar con tales combustibles;
4. Suciedad que ingresa al motor debido a mantenimiento o re ensamblaje incorrecto del filtro de aire;
5. Golpear un objeto con la cuchilla de corte de un cortacésped rotatorio, adaptadores de la cuchilla, impulsores u otros dispositivos acoplados al cigüeñal sueltos o instalados incorrectamente, o excesiva tirantez de la correa en V;
6. Piezas o ensambles asociados, tales como embragues, transmisiones, controles de equipos, etc., no suministrados por Briggs & Stratton;
7. Sobrecalentamiento debido a recortes de hierba, suciedad y desechos, o nidos de roedores los cuales taponan u obstruyen las aletas de refrigeración o el área de la volante, o por poner en funcionamiento el motor sin suficiente ventilación;
8. Vibración excesiva debida al exceso de velocidad, montaje flojo del motor, cuchillas o impulsores flojos o no balanceados, o acoplamiento incorrecto de los componentes del equipo al cigüeñal;
9. Uso incorrecto, falta de mantenimiento de rutina, transporte, manipulación o almacenamiento de los equipos, o instalación incorrecta del motor.

El servicio de garantía sólo está disponible a través de los distribuidores de servicio autorizados de Briggs & Stratton. Ubique a su Distribuidor de Servicio Autorizado en nuestro mapa localizador de distribuidores en BRIGGSandSTRATTON.COM o llame al 1-800-233-3723(en EE.UU.).

80004537 (Rev.B)

## Garantía sobre emisiones de Briggs & Stratton

**Disposiciones para Garantía sobre control de emisiones de California, EPA de los EE.UU. y Briggs & Stratton Corporation - Sus derechos y obligaciones bajo la garantía**  
**Para modelos de motor de Briggs & Stratton con designación de código "F"**  
**(Declaración de Modelo-Tipo-Código xxxxxx xxxx Fx)**

La Junta de Recursos del Aire de California (California Air Resources Board), la EPA de EE.UU. y Briggs & Stratton (B&S) se complacen en explicar la garantía del sistema de control de emisiones de su modelo de motor / equipo de los años 2015 a 2017. En California, los nuevos motores pequeños todo-terreno y los grandes motores con encendido por bujía, de menos o igual a 1,0 litros, deben estar diseñados, construidos y equipados para cumplir con las rigurosas normas del Estado contra la contaminación. B&S está obligado a garantizar el sistema de control de emisiones de su motor/equipo durante los períodos que se indican a continuación, siempre que no haya habido abuso, negligencia o mantenimiento inadecuado de su motor/equipo.

Su sistema de control de emisiones de escape puede incluir piezas tales como el carburador o el sistema de inyección de combustible, el sistema de encendido y el convertidor catalítico. También pueden estar incluidas las mangueras, correas, conectores, sensores y otros conjuntos relacionados con las emisiones. Su sistema de control de emisión evaporativas puede incluir partes tales como: carburadores, tanques de combustible, conductos de combustible, tapas de combustible, válvulas, canastillas, filtros, mangueras de vapor, abrazaderas, conectores y otros componentes asociados.

Donde exista una condición cubierta por la garantía, B&S reparará su motor / equipo sin costo alguno, incluido el diagnóstico, las piezas y la mano de obra.

### Cobertura de la garantía del fabricante:

Los motores pequeños todo-terreno y los grandes motores con encendido por bujía, de menos o igual a 1,0 litros, y cualesquier componentes de los equipos relacionados con las emisiones, tienen una garantía de dos años, o durante el período de tiempo indicado en la declaración de garantía respectiva del motor o del producto, lo que resulte mayor. Si cualquier pieza relacionada con las emisiones en su motor/equipo B&S resulta defectuosa, la pieza será reparada o sustituida por B&S.

### Responsabilidades del propietario bajo la garantía:

- Como propietario del motor/equipo, usted es responsable por la realización del mantenimiento necesario indicado en el Manual del Operador. B&S recomienda que guarde todos los recibos que cubren el mantenimiento de su motor/equipo, pero B&S no puede negar la garantía únicamente debido a la falta de recibos o a su imposibilidad de garantizar la realización de todo el mantenimiento programado.

- Como propietario del motor/equipo, debe ser consciente de que B&S puede negarle la cobertura de garantía si su motor/equipo o una pieza del mismo haya fallado debido a abuso, negligencia, mantenimiento inadecuado o modificaciones no autorizadas.
- Usted es responsable por presentar su motor/equipo en un centro de distribución, concesionario de servicio u otra entidad equivalente de B&S, según sea el caso, tan pronto como se presente el problema. Las reparaciones de garantía deben completarse en un período de tiempo razonable y no superior a 30 días. Si tiene alguna pregunta con respecto a sus derechos y responsabilidades bajo la garantía, debe ponerse en contacto con B&S en el 1-800-444-7774 (en EE.UU.) o en BRIGGSandSTRATTON.COM.

## Disposiciones para Garantía sobre control de emisiones de Briggs & Stratton

Las siguientes son disposiciones específicas relacionadas con la Cobertura de la garantía sobre control de emisiones. Esto es adicional a la garantía de los motores B&S para motores no regulados, la cual figura en el Manual del Operador.

1. Piezas de emisiones garantizadas  
La cobertura de esta garantía se extiende sólo a las partes que figuran a continuación (piezas del sistema de control de emisiones) siempre que tales piezas estuvieran presentes en el motor de B&S y / o en el sistema de combustible suministrado por B&S.
  - a. Sistema de Medición de Combustible
    - Sistema de enriquecimiento para arranque en frío (estrangulador suave)
    - Carburador o sistema de inyección de combustible
    - Sensor de oxígeno
    - Unidad de control electrónica
    - Módulo de la bomba de combustible
    - Conducto de combustible, acoplamiento del conducto de combustible, abrazaderas
    - Tanque de combustible, tapa y correa
    - Canastilla de carbono
  - b. Sistema de inducción de aire
    - Filtro de Aire
    - Múltiple de admisión
    - Línea de purga y ventilación
  - c. Sistema de encendido
    - Bujía(s)
    - Sistema de encendido con magneto
  - d. Sistema catalítico
    - Convertidor catalítico
    - Múltiple de escape
    - Sistema de inyección de aire o valor de impulso
  - e. Elementos diversos utilizados en los sistemas anteriores
    - Vacío, temperatura, posición, válvulas e interruptores sensibles al tiempo
    - Conectores y conjuntos

2. Duración de la cobertura  
La cobertura se extiende por un período de dos años desde la fecha de compra original, o por el período que aparece en la respectiva declaración de garantía del motor o del producto, lo que resulte mayor. B&S garantiza al comprador original y a cada comprador subsiguiente que el motor ha sido diseñado, construido y equipado de manera que cumpla con todas las normas adoptadas por la Junta de Recursos Ambientales de California (CARB); que está libre de defectos de materiales y mano de obra que podrían causar la falla de una pieza garantizada; y que es idéntico en todos los aspectos importantes al motor descrito en la solicitud para certificación del fabricante. El período de garantía comienza en la fecha de la compra original del motor.

La garantía de las piezas relacionadas con las emisiones es la siguiente:

- Cualquier pieza garantizada cuyo reemplazo no esté programado como parte del mantenimiento requerido en el Manual del operador suministrado, está garantizada por el período de garantía antes mencionado. Si tal pieza falla durante el período de cobertura de la garantía, la pieza será reparada o sustituida por B&S, sin costo para el propietario. Cualquier pieza reparada o reemplazada bajo la garantía estará garantizada por lo que reste del período de garantía.
- Cualquier pieza garantizada que sólo esté programada para inspección periódica en el Manual del operador suministrado, está garantizada por el período de garantía antes mencionado. Cualquier pieza reparada o

reemplazada bajo la garantía estará garantizada por lo que reste del período de garantía.

- Cualquier pieza garantizada que esté programada para ser reemplazada como parte del mantenimiento requerido en el Manual del Operador suministrado, está garantizada por el período antes del primer punto de reemplazo programado para esa pieza. Si la pieza falla antes del primer reemplazo programado, la pieza será reparada o sustituida por B&S, sin costo para el propietario. Cualquier pieza reparada o reemplazada bajo garantía quedará garantizada por el resto del período anterior al primer reemplazo programado para la pieza.
- No se pueden utilizar de piezas adicionales o modificadas que no estén exentas de acuerdo con la Junta de Recursos Atmosféricos. El uso de cualquier pieza no exenta adicional o modificada por parte del propietario será causa suficiente para anular un reclamo en garantía. El fabricante no será responsable de las fallas de piezas garantizadas causadas por el uso de piezas adicionales o modificadas.

3. Cobertura consecuente  
La cobertura se ampliará a los fallos de cualesquier componentes del motor causados por la falla de cualquier pieza garantizada en cuanto a emisiones.
4. Reclamaciones y Exclusiones a la cobertura  
Las reclamaciones por garantía deberán ser presentadas de acuerdo con las disposiciones de la política de garantía de motores de B&S. La cobertura de garantía no aplica a fallas de piezas de emisiones que no sean piezas originales de los equipos de B&S o a piezas que fallen debido a abuso, negligencia o mantenimiento incorrecto según lo establecido en la política de garantía de motores de B&S. B&S no es responsable de la cobertura en garantía de fallas de piezas de emisiones causadas por el uso de piezas adicionales o modificadas.

## Busque el Período de durabilidad relevante para emisiones y la información del Índice de calidad del aire en el rótulo de emisiones sobre su pequeño motor todo-terreno

Los motores con certificación de cumplimiento de la Norma sobre emisiones para pequeños todo-terreno de la California Air Resources Board (CARB) deben mostrar información sobre el Período de durabilidad de las emisiones y el Índice de calidad del aire. Briggs & Stratton pone esta información a disposición del consumidor sobre nuestros rótulos de emisiones. El rótulo de emisiones del motor contiene la información de certificación.

El **Período de durabilidad de las emisiones** describe el número de horas de tiempo real de operación para el que el motor está certificado a fin de ser compatibles con las emisiones, asumiendo un mantenimiento adecuado de acuerdo con el Manual del Operador. Se utilizan las siguientes categorías:

### Moderada:

Los motores con 80 cc de desplazamiento o menos están certificados en cuanto a requisitos de emisión para 50 horas de tiempo real del motor en marcha. Los motores con más de 80 cc de desplazamiento están certificados en cuanto a requisitos de emisión para 125 horas de tiempo real del motor en marcha.

### Intermedia:

Los motores con 80 cc de desplazamiento o menos están certificados en cuanto a requisitos de emisión para 125 horas de tiempo real del motor en marcha. Los motores con más de 80 cc de desplazamiento están certificados en cuanto a requisitos de emisión para 250 horas de tiempo real del motor en marcha.

### Extensa:

Los motores con 80 cc de desplazamiento o menos están certificados en cuanto a requisitos de emisión para 300 horas de tiempo real del motor en marcha. Los motores con más de 80 cc de desplazamiento están certificados en cuanto a requisitos de emisión para 500 horas de tiempo real del motor en marcha.

Por ejemplo, un cortacésped de empuje manual típico se utiliza de 20 a 25 horas al año. Por lo tanto, el **Período de durabilidad de las emisiones** de un motor con una calificación de **intermedia** equivaldría a entre 10 y 12 años.

Los motores Briggs & Stratton están certificados para cumplir con las normas de emisiones Fase 2 o Fase 3 de la Agencia de Protección Ambiental de Estados Unidos (USEPA). El Período de cumplimiento de las emisiones mencionado en el rótulo de Cumplimiento de emisiones indica el número de horas de funcionamiento para el que se ha demostrado que el motor cumple con los requisitos Federales sobre emisiones.

### Para motores con 80 cc de desplazamiento o menos:

Categoría C = 50 horas, Categoría B = 125 horas, Categoría A = 300 horas

### Para motores con más de 80 cc y menos de 225 cc de desplazamiento:

Categoría C = 125 horas, Categoría B = 250 horas, Categoría A = 500 horas

### Para motores con desplazamiento de 225 cc o más:

Categoría C = 250 horas, Categoría B = 500 horas, Categoría A = 1.000 horas

80008114 (Rev D)

## Disposiciones para Garantía sobre control de emisiones de California, EPA de los EE.UU. y Briggs & Stratton Corporation - Sus derechos y obligaciones bajo la garantía

Para modelos de motor de Briggs & Stratton con designación de código "B" o "G" (Declaración de Modelo-Tipo-Código xxxxxx xxxx Bx o xxxxxx xxxx Gx)

La Junta de Recursos del Aire de California (California Air Resources Board), la EPA de EE.UU. y Briggs & Stratton (B&S) se complacen en explicar la garantía del sistema de control de emisiones de su modelo de motor de los años 2015 a 2017. En California, los nuevos motores pequeños todo-terreno y los grandes motores con encendido por bujía, de menos o igual a 1,0 litros, deben estar diseñados, construidos y equipados para cumplir con las rigurosas normas del Estado contra la contaminación. B&S está obligado a garantizar el sistema de control de emisiones de su motor durante los períodos que se indican a continuación, siempre que no haya habido abuso, negligencia o mantenimiento inadecuado de su motor.

Su sistema de control de emisiones de escape puede incluir piezas tales como el carburador o el sistema de inyección de combustible, el sistema de encendido y el convertidor catalítico. También pueden estar incluidas las mangueras, correas, conectores, sensores y otros conjuntos relacionados con las emisiones.

Donde exista una condición cubierta por la garantía, B&S reparará su motor sin costo alguno, incluido el diagnóstico, las piezas y la mano de obra.

### Cobertura de la garantía del fabricante:

Los motores pequeños todo-terreno y los grandes motores con encendido por bujía, de menos o igual a 1,0 litros, y cualesquier componentes de los equipos relacionados con las emisiones, tienen una garantía de dos años, o durante el período de tiempo indicado en la declaración de garantía respectiva del motor o del producto, lo que resulte mayor. Si cualquier pieza relacionada con las emisiones en su motor B&S resulta defectuosa, la pieza será reparada o sustituida por B&S.

### Responsabilidades del propietario bajo la garantía:

- Como propietario del motor, usted es responsable por la realización del mantenimiento necesario indicado en el Manual del Operador. B&S recomienda que guarde todos los recibos que cubren el mantenimiento de su motor, pero B&S no puede negar la garantía únicamente debido a la falta de recibos o a su imposibilidad de garantizar la realización de todo el mantenimiento programado.
- Como propietario del motor, debe ser consciente de que B&S puede negarle la cobertura de garantía si su motor o una pieza del mismo haya fallado debido a abuso, negligencia, mantenimiento inadecuado o modificaciones no autorizadas.
- Usted es responsable por presentar su motor en un centro de distribución, concesionario de servicio u otra entidad equivalente de B&S, según sea el caso, tan pronto como se presente el problema. Las reparaciones de garantía deben completarse en un período de tiempo razonable y no superior a 30 días. Si tiene alguna pregunta con respecto a sus derechos y responsabilidades bajo la garantía, debe ponerse en contacto con B&S en el 1-800-444-7774 (en EE.UU.) o en BRIGGSandSTRATTON.COM.

## Disposiciones para Garantía sobre control de emisiones de Briggs & Stratton

Las siguientes son disposiciones específicas relacionadas con la Cobertura de la garantía sobre control de emisiones. Esto es adicional a la garantía de los motores B&S para motores no regulados, la cual figura en el Manual del Operador.

1. Piezas de emisiones garantizadas  
La cobertura de esta garantía se extiende sólo a las partes que figuran a continuación (piezas del sistema de control de emisiones) siempre que tales piezas estuvieran presentes en el motor de B&S.
  - a. Sistema de Medición de Combustible
    - Sistema de enriquecimiento para arranque en frío (estrangulador suave)
    - Carburador o sistema de inyección de combustible
    - Sensor de oxígeno
    - Unidad de control electrónica
    - Módulo de la bomba de combustible
  - b. Sistema de inducción de aire
    - Filtro de Aire
    - Múltiple de admisión
  - c. Sistema de encendido
    - Bujía(s)
    - Sistema de encendido con magneto
  - d. Sistema catalítico
    - Convertidor catalítico

- Múltiple de escape
  - Sistema de inyección de aire o valor de impulso
- e. Elementos diversos utilizados en los sistemas anteriores
    - Vacío, temperatura, posición, válvulas e interruptores sensibles al tiempo
    - Conectores y conjuntos

2. Duración de la cobertura  
La cobertura se extiende por un período de dos años desde la fecha de compra original, o por el periodo que aparece en la respectiva declaración de garantía del motor o del producto, lo que resulte mayor. B&S garantiza al comprador original y a cada comprador subsiguiente que el motor ha sido diseñado, construido y equipado de manera que cumpla con todas las normas adoptadas por la Junta de Recursos Ambientales de California (CARB); que está libre de defectos de materiales y mano de obra que podrían causar la falla de una pieza garantizada; y que es idéntico en todos los aspectos importantes al motor descrito en la solicitud para certificación del fabricante. El período de garantía comienza en la fecha de la compra original del motor.

La garantía de las piezas relacionadas con las emisiones es la siguiente:

- Cualquier pieza garantizada cuyo reemplazo no esté programado como parte del mantenimiento requerido en el Manual del operador suministrado, está garantizada por el período de garantía antes mencionado. Si tal pieza falla durante el período de cobertura de la garantía, la pieza será reparada o sustituida por B&S, sin costo para el propietario. Cualquier pieza reparada o reemplazada bajo la garantía estará garantizada por lo que reste del período de garantía.
  - Cualquier pieza garantizada que sólo esté programada para inspección periódica en el Manual del operador suministrado, está garantizada por el período de garantía antes mencionado. Cualquier pieza reparada o reemplazada bajo la garantía estará garantizada por lo que reste del período de garantía.
  - Cualquier pieza garantizada que esté programada para ser reemplazada como parte del mantenimiento requerido en el Manual del Operador suministrado, está garantizada por el período antes del primer punto de reemplazo programado para esa pieza. Si la pieza falla antes del primer reemplazo programado, la pieza será reparada o sustituida por B&S, sin costo para el propietario. Cualquier pieza reparada o reemplazada bajo garantía quedará garantizada por el resto del período anterior al primer reemplazo programado para la pieza.
  - No se pueden utilizar de piezas adicionales o modificadas que no estén exentas de acuerdo con la Junta de Recursos Atmosféricos. El uso de cualquier pieza no exenta adicional o modificada por parte del propietario será causa suficiente para anular un reclamo en garantía. El fabricante no será responsable de las fallas de piezas garantizadas causadas por el uso de piezas adicionales o modificadas.
3. Cobertura consecuente  
La cobertura se ampliará a los fallos de cualesquier componentes del motor causados por la falla de cualquier pieza garantizada en cuanto a emisiones.
  4. Reclamaciones y Exclusiones a la cobertura  
Las reclamaciones por garantía deberán ser presentadas de acuerdo con las disposiciones de la política de garantía de motores de B&S. La cobertura de garantía no aplica a fallas de piezas de emisiones que no sean piezas originales de los equipos de B&S o a piezas que fallen debido a abuso, negligencia o mantenimiento incorrecto según lo establecido en la política de garantía de motores de B&S. B&S no es responsable de la cobertura en garantía de fallas de piezas de emisiones causadas por el uso de piezas adicionales o modificadas.

## Busque el Período de durabilidad relevante para emisiones y la información del Índice de calidad del aire en el rótulo de emisiones sobre su pequeño motor todo-terreno

Los motores con certificación de cumplimiento de la Norma sobre emisiones para pequeños todo-terreno de la California Air Resources Board (CARB) deben mostrar información sobre el Período de durabilidad de las emisiones y el Índice de calidad del aire. Briggs & Stratton pone esta información a disposición del consumidor sobre nuestros rótulos de emisiones. El rótulo de emisiones del motor contiene la información de certificación.

El **Período de durabilidad de las emisiones** describe el número de horas de tiempo real de operación para el que el motor está certificado a fin de ser compatibles con las emisiones, asumiendo un mantenimiento adecuado de acuerdo con el Manual del Operador. Se utilizan las siguientes categorías:

### Moderada:

Los motores con 80 cc de desplazamiento o menos están certificados en cuanto a requisitos de emisión para 50 horas de tiempo real del motor en marcha. Los motores con más de 80 cc de desplazamiento están certificados en cuanto a requisitos de emisión para 125 horas de tiempo real del motor en marcha.

### Intermedia:

Los motores con 80 cc de desplazamiento o menos están certificados en cuanto a requisitos de emisión para 125 horas de tiempo real del motor en marcha. Los motores con más de



80 cc de desplazamiento están certificados en cuanto a requisitos de emisión para 250 horas de tiempo real del motor en marcha.

**Extensa:**

Los motores con 80 cc de desplazamiento o menos están certificados en cuanto a requisitos de emisión para 300 horas de tiempo real del motor en marcha. Los motores con más de 80 cc de desplazamiento están certificados en cuanto a requisitos de emisión para 500 horas de tiempo real del motor en marcha.

Por ejemplo, un cortacésped de empuje manual típico se utiliza de 20 a 25 horas al año. Por lo tanto, el **Período de durabilidad de las emisiones** de un motor con una calificación de **intermedia** equivaldría a entre 10 y 12 años.

Los motores Briggs & Stratton están certificados para cumplir con las normas de emisiones Fase 2 o Fase 3 de la Agencia de Protección Ambiental de Estados Unidos (USEPA). El Período de cumplimiento de las emisiones mencionado en el rótulo de Cumplimiento de emisiones indica el número de horas de funcionamiento para el que se ha demostrado que el motor cumple con los requisitos Federales sobre emisiones.

**Para motores con 80 cc de desplazamiento o menos:**

Categoría C = 50 horas, Categoría B = 125 horas, Categoría A = 300 horas

**Para motores con más de 80 cc y menos de 225 cc de desplazamiento:**

Categoría C = 125 horas, Categoría B = 250 horas, Categoría A = 500 horas

**Para motores con desplazamiento de 225 cc o más:**

Categoría C = 250 horas, Categoría B = 500 horas, Categoría A = 1.000 horas

80008256 (Rev D)

Not for  
Reproduction

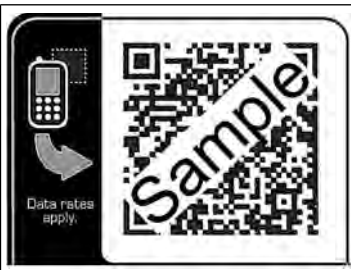
Ce manuel contient des informations de sécurité visant à vous alerter sur les dangers et les risques liés aux moteurs et vous indiquer comment les éviter. Il comporte également des instructions concernant l'utilisation et l'entretien corrects du moteur. Briggs & Stratton Corporation ne sait pas nécessairement sur quel matériel ce moteur sera installé. Par conséquent, il est important de lire attentivement les présentes instructions, ainsi que celles dudit matériel. **Conserver ces instructions d'origine à titre de référence ultérieure.**

**REMARQUE :** Les figures et illustrations contenues dans ce manuel ne sont fournies qu'à titre indicatif et peuvent différer de votre propre modèle. Contacter votre Réparateur pour toute question.

Pour demander des pièces de rechange ou obtenir une assistance technique, renseigner dans le tableau ci-dessous le modèle et le type de votre moteur, ses numéros de code, ainsi que sa date d'achat. Ces numéros se trouvent sur votre moteur (se reporter à la section **Fonctions et commandes**).

Date d'achat	
Modèle - Type - Code du moteur	
Numéro de série du moteur	

Chercher le QR code situé sur certains moteurs. En le scannant avec un appareil compatible, le code renvoie vers notre site internet sur lequel vous trouverez des informations pratiques sur ce produit. En fonction des débits. Il se peut que ces informations soient indisponibles dans certains pays.



## Information de recyclage



Tous les emballages, huiles usées, et piles/accumulateurs devraient être recyclés selon tous les règlements gouvernementaux applicables.

## Sécurité de l'utilisateur

### Symbole d'alerte de sécurité et mots de signalisation

Le symbole d'alerte de sécurité est utilisé pour identifier l'information de sécurité à propos des dangers pouvant causer des blessures. Un mot de signalisation (DANGER, AVERTISSEMENT, ou ATTENTION) est utilisé conjointement avec le symbole d'alerte pour indiquer la possibilité et la gravité des blessures potentielles. De plus, un symbole de danger peut être utilisé pour représenter le type de danger.

**DANGER** indique un danger qui, si non évité, **causera des blessures graves ou un décès de personne.**

**AVERTISSEMENT** indique un danger qui, si non évité, **pourrait causer des blessures graves ou un décès de personne.**

**ATTENTION** indique un danger qui, si non évité, **pourrait causer des blessures mineures ou modérées.**

**AVIS** indique une situation qui **pourrait conduire à un endommagement du produit.**

### Symboles de risque et leurs significations

Symbole	Signification	Symbole	Signification
	Informations de sécurité sur les dangers pouvant provoquer des dommages corporels.		Lire attentivement le contenu du manuel d'utilisation avant de faire fonctionner l'appareil ou d'intervenir dessus.

Symbole	Signification	Symbole	Signification
	Risque d'incendie		Risque d'explosion
	Risque de décharge électrique		Danger de fumées toxiques
	Risque de surface chaude		Risque lié au bruit - protection auditive recommandée pour une utilisation prolongée.
	Risque de projection d'objets - porter des lunettes de protection.		Risque d'explosion
	Risque de gelure		Risque d'effet de recul
	Risque d'amputation - pièces mobiles		Risque chimique
	Risque thermique		Corrosif

## Étiquettes de sécurité

**AVERTISSEMENT**

Certains composants de cet équipement et de ses accessoires contiennent des produits chimiques reconnus dans l'état de Californie comme étant cause de cancer, d'anomalies congénitales ou d'autres troubles de la reproduction. Se laver les mains après la manipulation.

**AVERTISSEMENT**

Les gaz d'échappement de ce moteur contiennent des substances chimiques pouvant causer des cancers, d'anomalies congénitales ou d'autres troubles de la reproduction.

**AVERTISSEMENT**

Les moteurs Briggs & Stratton ne sont pas conçus pour les équipements suivants et ne doivent pas être utilisés pour les alimenter : karts de loisir ; karts de course ; véhicules de loisir pour les enfants et de sport tous-terrains (ATVs) ; motocycles ; aéroglisseurs ; engins aériens ; ou véhicules utilisés lors de compétitions non approuvées par Briggs & Stratton. Pour plus d'informations concernant les produits destinés à la compétition, consulter [www.briggsracing.com](http://www.briggsracing.com) Pour une utilisation avec des quads utilitaires et côte-à-côte, contacter le Centre d'application des moteurs Briggs & Stratton, au +001 (866) 927 3349. Une application inadaptée au moteur risque d'entraîner de graves blessures voire la mort.

### AVIS

Ce moteur est livré sans huile par Briggs & Stratton. Avant de mettre le moteur en marche, s'assurer d'ajouter de l'huile en suivant les instructions de ce manuel. Si vous mettez le moteur en marche sans huile, il sera endommagé de manière irréversible et ne sera pas couvert par la garantie.

**AVERTISSEMENT**   
**L'essence et ses vapeurs sont extrêmement inflammables et explosives.**  
**Un incendie ou une explosion peuvent provoquer de très graves blessures ou être mortelles.**

#### Pour faire le plein

- Arrêter le moteur et le laisser refroidir au moins 2 minutes avant de retirer le bouchon du réservoir.
- Remplir le réservoir de carburant à l'extérieur ou dans un local extrêmement bien ventilé.
- Ne pas trop remplir le réservoir de carburant. Pour permettre la dilatation de l'essence, ne pas remplir au-delà du bas du col de remplissage.
- Veiller à tenir l'essence à l'écart des étincelles, des flammes nues, des veilleuses, de la chaleur et de toute autre source d'ignition.
- Contrôler régulièrement que les durites, le réservoir, le bouchon et les raccords de réservoir ne présentent ni fissures, ni fuites. Remplacer si nécessaire.
- Si du carburant a été renversé, attendre son évaporation complète avant de démarrer le moteur.

#### Pour démarrer le moteur

- S'assurer que la bougie, le silencieux, le bouchon du réservoir de carburant et le filtre à air (le cas échéant) sont montés et solidement fixés.
- Ne pas faire tourner le moteur avec la bougie enlevée.
- Si le moteur est noyé, placer le starter (le cas échéant) sur OPEN / RUN (OUVERT/MARCHE), amener l'accélérateur (le cas échéant) sur FAST (RAPIDE) et lancer le moteur jusqu'à ce qu'il démarre.

#### Lors de l'utilisation de l'équipement

- NE PAS faire basculer le moteur ou l'équipement au-delà d'un angle qui provoquerait le renversement de l'essence.
- Ne pas actionner le starter pour arrêter le moteur.
- Ne pas démarrer ou faire fonctionner un moteur sans filtre à air (si prévu) ou avec le filtre à air (selon équipement) enlevé.

#### Vidange d'huile

- Pour vidanger l'huile du tube de remplissage, le réservoir de carburant doit être vide. Sinon, le carburant risque de couler et de provoquer un incendie ou une explosion.

#### En cas de basculement de l'unité pour l'entretien




- S'il est nécessaire de basculer l'équipement au cours de l'entretien, le réservoir de carburant, s'il est monté sur le moteur, doit être vidé, sinon le carburant risque de couler et d'entraîner un incendie ou une explosion.

#### Pour transporter l'équipement

- Transporter avec le réservoir de carburant VIDE ou le robinet d'essence en position CLOSED (FERMÉE).

#### Pour stocker du carburant ou l'équipement avec un réservoir plein

- Les ranger à l'écart des chaudières, cuisinières, chauffe-eaux ou autres appareils ménagers comportant une veilleuse ou une source d'ignition pouvant enflammer les vapeurs d'essence.



**AVERTISSEMENT**  

**Le démarrage du moteur produit des étincelles.**

**Les étincelles peuvent enflammer les gaz inflammables à proximité.**

**Ceci pourrait provoquer une explosion ou un incendie.**



- S'il y a une fuite de gaz naturel de GPL à proximité, ne pas démarrer le moteur.
- Ne pas utiliser de liquides de démarrage sous pression car leurs vapeurs sont inflammables.

**AVERTISSEMENT** 

**RISQUE LIÉ AUX GAZ TOXIQUES.** Les gaz d'échappement du moteur contiennent du monoxyde de carbone, un gaz toxique qui pourrait vous tuer en l'espace de quelques minutes. Il est **INVISIBLE** et **INODORE**. Même si vous n'inhaliez pas de gaz d'échappement, vous courez toujours le risque de respirer du monoxyde de carbone. Si vous commencez à vous sentir malade, pris de vertiges ou faible quand vous utilisez cette machine, coupez le moteur et allez respirer **IMMÉDIATEMENT** de l'air frais. Consulter un médecin. Il se peut que vous soyez victime d'un empoisonnement au monoxyde de carbone.

- Utiliser cet équipement **UNIQUEMENT** à l'extérieur et à l'écart des fenêtres, portes et aérations pour réduire le risque d'accumulation de monoxyde de carbone et son éventuelle propagation à des espaces occupés.

- Installer des détecteurs de monoxyde de carbone fonctionnant sur pile ou se branchant sur le secteur, une pile de secours étant prévue conformément aux instructions du fabricant. Les détecteurs de fumée ne peuvent pas déceler la présence de monoxyde de carbone.
- NE PAS faire fonctionner cette machine à l'intérieur de maisons, de garages, de sous-sols, de vides sanitaires, de remises de jardin ou d'autres espaces partiellement confinés, même si des ventilateurs, des portes ou des fenêtres ouvertes facilitent la ventilation. Le monoxyde de carbone peut s'accumuler rapidement dans ces espaces et peut subsister pendant des heures, même après avoir arrêté l'équipement.
- TOUJOURS disposer cet équipement dans le sens du vent et orienter l'échappement du moteur dans la direction opposée aux espaces occupés.

**AVERTISSEMENT** 

**La rétraction rapide de la corde de lanceur (retour brutal) tirera votre main et votre bras vers le moteur beaucoup plus rapidement que vous ne pourrez le laisser partir.**

**Cela risque d'entraîner des fêlures, des fractures, des ecchymoses ou des foulures.**




- Pour démarrer le moteur, tirer lentement sur la corde jusqu'à sentir une résistance et tirer alors rapidement pour éviter l'effet de rétraction.
- Retirer tout équipement extérieur/charge avant de démarrer le moteur.
- Les composants directement couplés à l'équipement, tels que les lames, turbines, poulies, engrenages, entre autres, devront être fermement arrimés.

**AVERTISSEMENT** 

**Les pièces en rotation peuvent toucher ou saisir les mains, les pieds, les cheveux, les vêtements ou les accessoires.**

**Le résultat peut en être une amputation ou une lacération grave.**

- Ne faire fonctionner l'équipement qu'avec les protections en place.
- Ne pas approcher les mains et les pieds des pièces en mouvement.
- Attacher les cheveux longs et retirer les bijoux.
- Ne pas porter de vêtements amples, de ceintures larges pendantes ou tout vêtement risquant d'être happé.





**AVERTISSEMENT**  

**Un moteur en marche produit de la chaleur. Les pièces du moteur, et plus particulièrement le silencieux, deviennent extrêmement chaudes.**

**Les toucher peut provoquer de graves brûlures.**

**Les débris combustibles comme les feuilles, l'herbe, les broussailles peuvent s'enflammer.**

- Laisser le silencieux, le cylindre du moteur et les ailettes refroidir avant de les toucher.
- Retirer les débris accumulés autour du silencieux et du cylindre.
- L'utilisation ou le fonctionnement du moteur sur des terrains forestiers, broussailleux ou herbeux constitue une violation de la Section 4442 du California Public Resource Code, sauf si le système d'échappement est équipé d'un pare-étincelles, tel que défini dans la Section 4442, en bon état de fonctionnement. D'autres états ou juridictions fédérales peuvent appliquer des lois similaires. Contacter le fabricant, le distributeur ou le fournisseur d'origine de la machine pour obtenir un pare-étincelles conçu pour le système d'échappement installé sur ce moteur.

**AVERTISSEMENT**   

**Une étincelle accidentelle peut provoquer un incendie ou une décharge électrique.**

**Un démarrage accidentel peut causer un étranglement, l'amputation ou la lacération d'un membre.**

**Risque d'incendie**

#### Avant d'effectuer des réglages ou des réparations :

- Débrancher le fil de bougie et l'attacher à bonne distance de la bougie.

- Débrancher le câble Négatif de la batterie (uniquement pour les moteurs à démarrage électrique).
- N'utiliser que les outils corrects.
- Ne pas modifier le ressort du régulateur, les tringles ou autres pièces pour augmenter le régime du moteur.
- Les pièces de rechange doivent être d'origine et installées de la même façon que les pièces remplacées. D'autres pièces peuvent ne pas fonctionner aussi bien, peuvent endommager la machine et peuvent provoquer des blessures.
- Ne pas taper sur le volant moteur avec un marteau ou un objet dur ; cela pourrait entraîner une rupture ultérieure du volant pendant que le moteur fonctionne.

#### Contrôle de l'étincelle :

- Utiliser un contrôleur homologué.
- Ne pas contrôler l'étincelle avec la bougie retirée.








## Caractéristiques et commandes

### Commandes moteur

Apprendre la localisation des diverses commandes et dispositifs de la machine à l'aide de l'illustration (Figure : 1, 2)

- A. Numéros d'identification du moteur **Modèle - Type - Code**
- B. Bougie
- C. Filtre à air
- D. Jauge
- E. Bouchon de vidange d'huile
- F. Grille d'entrée d'air
- G. Filtre à huile
- H. Démarreur électrique
- I. Carburateur
- J. Filtre de carburant (le cas échéant)
- K. Pompe de carburant (le cas échéant)
- L. Orifice de vidange rapide d'huile (le cas échéant)
- M. Refroidisseur d'huile (le cas échéant)
- N. Unité de commande électrique (le cas échéant)
- O. Démarrage à mécanisme de rappel (le cas échéant)

### Symboles des commandes et leur signification

Symbole	Signification	Symbole	Signification
	Régime moteur - FAST (RAPIDE)		Régime moteur - SLOW (LENT)
	Régime moteur - STOP (ARRÊT)		ON - OFF
	Démarrage du moteur - Commande CLOSED (FERMÉ)		Démarrage du moteur - Commande OPEN (OUVERT)
	Essence		

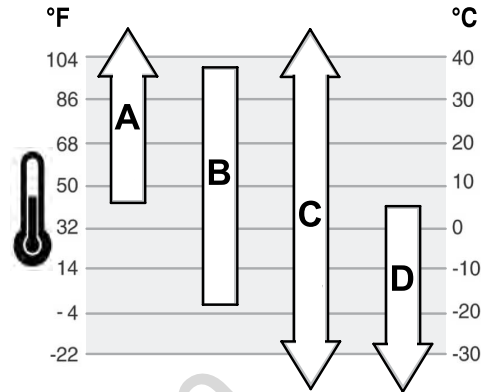
## Fonctionnement

### Recommandations concernant l'huile

**Capacité d'huile :** Voir la section **Spécifications**.

Nous recommandons l'utilisation des huiles certifiées par la garantie Briggs & Stratton pour obtenir les meilleures performances. D'autres huiles détergentes de haute qualité sont acceptables si elles sont classées SF, SG SH, SJ ou supérieur. Ne pas utiliser d'additifs spéciaux.

La température extérieure détermine la viscosité de l'huile convenant au moteur. Utiliser le tableau pour sélectionner la meilleure viscosité qui correspond à la gamme de température extérieure attendue.



<b>A</b>	<b>SAE 30</b> - L'emploi de cette huile en dessous de 4 °C (40 °F) rend le démarrage difficile.
<b>B</b>	<b>10W-30</b> - L'emploi de cette huile au-dessus de 27 °C (80 °F), entraîne une consommation d'huile supérieure à la normale. Vérifier le niveau d'huile plus souvent.
<b>C</b>	<b>5W-30 synthétique</b>
<b>D</b>	<b>5W-30</b>

### Contrôler le niveau d'huile

Voir la Figure : 3

#### Avant de vérifier ou d'ajouter de l'huile

- S'assurer que la machine est nivelée.
- Débarrasser de tout débris la zone de remplissage d'huile.

1. Retirer la jauge d'huile (A, Figure 3) et l'essuyer avec un chiffon propre.
2. Replacer et serrer le bouchon-jauge (A, Figure 3).
3. Sortir la jauge et contrôler le niveau d'huile. Le niveau adéquat est au dessus de la marque du haut de la jauge (B, Figure 3).
4. Si le niveau est bas, verser l'huile lentement dans le tube de remplissage (C, Figure 3). **Ne pas trop remplir.** Après avoir ajouté de l'huile, attendre une minute, puis vérifier le niveau d'huile à nouveau.

**REMARQUE :** Ne pas ajouter d'huile par l'orifice de vidange rapide, le cas échéant. Pour la localisation, voir **Attributs et commandes**.

5. Replacer et serrer le bouchon-jauge (A, Figure 3).

### Système de détection de niveau d'huile bas (le cas échéant)

Certains moteurs sont équipés d'une sonde de détection de niveau d'huile bas. Si le niveau d'huile est insuffisant, la sonde active un voyant d'alerte ou arrête le moteur. Arrêter le moteur et procéder comme décrit ci-dessous avant de remettre en marche le moteur.

- Mettre le moteur de niveau.
- Contrôler le niveau d'huile. Se reporter à la section **Vérifier le niveau d'huile**.
- Si le niveau est insuffisant, faire l'appoint avec la quantité appropriée d'huile. Mettre le moteur en marche et s'assurer que le voyant d'alerte (si prévu) n'est pas allumé.
- Si le niveau d'huile est correct, ne pas faire démarrer le moteur. Contacter un Réparateur agréé Briggs & Stratton pour corriger un problème d'huile.

# Recommandations de carburant

Le carburant doit répondre aux critères suivants :

- Essence sans plomb, propre et fraîche.
- Indice d'octane minimum de 87/87 AKI (91 RON). En cas d'utilisation en haute altitude, voir ci-après.
- Une essence contenant jusqu'à 10 % d'éthanol (carburol) est acceptable.

**AVIS** Ne pas utiliser d'essence non approuvée comme la E15 ou la E85. Ne pas mélanger d'huile à l'essence ni modifier le moteur afin qu'il puisse fonctionner avec des carburants alternatifs. Cela endommagerait le moteur, ce qui ne serait pas couvert par la garantie.

Pour empêcher le système d'admission d'essence contre la formation de gomme, mélanger un stabilisateur à l'essence. Se reporter à la section **Stockage**. Tous les carburants ne sont pas les mêmes. En cas de difficultés à démarrer ou de problèmes de fonctionnement, changer de fournisseur ou changer de marque d'essence. Ce moteur est certifié pour fonctionner à partir de l'essence. Le système de contrôle des émissions pour ce moteur est EM (Modifications du moteur).

## Haute altitude


À des altitudes supérieures à 1 524 mètres (5 000 pieds), de l'essence d'au minimum 85 octane/85 AKI (89 RON) est acceptable.

Pour conserver les caractéristiques d'émission, un réglage spécial haute altitude est nécessaire. Faire fonctionner le moteur sans ce réglage fait baisser ses performances, augmenter la consommation de carburant et les émissions. Contacter un Réparateur agréé Briggs & Stratton pour davantage d'informations sur le réglage haute altitude. Le fonctionnement du moteur à une altitude inférieure à 762 mètres (2 500 pieds) avec le kit haute altitude n'est pas recommandé.

Pour les moteurs à injection électronique (EFI), le réglage haute altitude est inutile.

## Ajouter du carburant

Voir Figure : 4

**AVERTISSEMENT** 

L'essence et ses vapeurs sont extrêmement inflammables et explosives.

Un incendie ou une explosion peuvent provoquer de très graves blessures ou être mortelles.

### Lors du remplissage de carburant

- Arrêter le moteur et le laisser refroidir au moins 2 minutes avant de retirer le bouchon du réservoir.
- Remplir le réservoir de carburant à l'extérieur ou dans un local extrêmement bien ventilé.
- Ne pas trop remplir le réservoir de carburant. Pour permettre la dilatation de l'essence, ne pas remplir au-delà du bas du col de remplissage.
- Veiller à tenir l'essence à l'écart des étincelles, des flammes nues, des veilleuses, de la chaleur et de toute autre source d'ignition.
- Contrôler régulièrement que les durites, le réservoir, le bouchon et les raccords de réservoir ne présentent ni fissures, ni fuites. Remplacer si nécessaire.
- Si du carburant a été renversé, attendre son évaporation complète avant de démarrer le moteur.

1. Nettoyer le pourtour du bouchon d'essence de la poussière et des débris. Enlever le bouchon d'essence.
2. Remplir le réservoir (A, Figure 4) d'essence. Pour permettre la dilatation du carburant, ne pas remplir au-delà du bas du la base du col de remplissage. (B).
3. Remettre le bouchon du réservoir en place.

## Démarrage et arrêt du moteur

Voir la Figure : 5

### Démarrage du moteur



**AVERTISSEMENT** 

Le carburant et ses vapeurs sont extrêmement inflammables et explosifs.

Un incendie ou une explosion peut provoquer des brûlures graves voire la mort.

### Lors du démarrage du moteur

- Vous assurer que la bougie d'allumage, le silencieux, le bouchon de carburant et filtre à air (si équipé) sont en place et bien fixés.
- Ne pas mettre le moteur en marche quand la bougie est retirée.
- Si le moteur se noie, mettre le starter (si l'unité en est équipée) sur la position OUVERT/MARCHE, amener la manette des gaz (si l'unité en est équipée) sur la position RAPIDE et lancer le moteur jusqu'à ce qu'il démarre.

**AVERTISSEMENT** 

**RISQUE DE GAZ TOXIQUE.** Les gaz d'échappement contiennent du monoxyde de carbone, un gaz toxique pouvant provoquer la mort en quelques minutes. Il s'agit d'un gaz que vous NE pouvez NI voir, NI sentir, NI goûter. Même si vous ne sentez pas de vapeurs d'échappement, vous pourriez quand même être exposé au gaz de monoxyde de carbone. Si vous commencez à vous sentir mal, étourdi(e), ou faible en utilisant ce produit, arrêtez-le et sortez au grand air IMMÉDIATEMENT. Voir un médecin. Vous pourriez être intoxiqué(e) par le monoxyde de carbone.

- Ne faites fonctionner cette machine qu'à l'extérieur et loin des fenêtres, portes, et événements afin de réduire le risque que le gaz de monoxyde de carbone ne s'accumule et ne soit potentiellement aspiré vers des espaces occupés.
- Installez et assurez l'entretien d'avertisseurs de monoxyde de carbone fonctionnant à piles ou alimentés par câble avec batterie de secours selon les directives du fabricant. Les détecteurs de fumée ne détectent pas le monoxyde de carbone.
- NE FAITES PAS FONCTIONNER ce produit à l'intérieur des maisons, garages, sous-sol, vides sanitaires, ou autres espaces partiellement clos, même si des ventilateurs sont utilisés ou des portes et fenêtres sont laissées ouvertes pour la ventilation. Le monoxyde de carbone peut s'accumuler rapidement dans ces espaces et peut y rester pendant des heures, même après l'arrêt de l'appareil.
- Installez TOUJOURS ce produit sous le vent et dirigez l'échappement du moteur à l'opposé des espaces occupés.

**AVIS** Ce moteur a été livré de Briggs & Stratton sans huile. Avant de démarrer le moteur, assurez-vous que vous avez ajouté de l'huile selon les instructions de ce manuel. Si vous démarrez le moteur sans huile, il sera endommagé de manière irréversible et ne sera pas couvert par la garantie.

### Déterminer le type de système de démarrage

Pour démarrer le moteur, vous devez déterminer le type de système de démarrage dont votre modèle est équipé. Votre équipement aura un des types de système de démarrage suivant :

- **Système de gestion de carburant électronique** : Celui-ci met en vedette une unité de commande électronique qui surveille les conditions du moteur et atmosphériques. Ce type n'utilise pas un étrangleur manuel ou l'enrichissement de carburant comme moyen d'aide au démarrage.
- **Système d'étranglement** : Ce système présente un étrangleur pour enrichir le mélange de démarrage lors de basses températures. Certains modèles auront un levier d'étrangleur séparé tandis que d'autres auront une commande combinée de régime moteur (papillon des gaz) et étrangleur. Ce type ne possède pas de bouton-pompe d'enrichissement.

Pour démarrer votre moteur, suivez les instructions pour le type de système de démarrage dont votre équipement est muni.

**REMARQUE** : L'équipement peut être muni de manettes à distance. Pour localiser les commandes à distance, consultez le manuel de la machine.

### Système de gestion de carburant électronique

1. Contrôler le niveau d'huile du moteur. Voir la rubrique **Contrôle du niveau d'huile**.
2. S'assurer que les commandes d'entraînement de l'équipement sont débrayées.
3. Tourner le robinet de carburant (A, Figure 5, le cas échéant), à la position « OPEN » (OUVERT).
4. Déplacer le levier de commande du régime moteur (B, Figure 5 - le cas échéant), à la position « FAST ». Fonctionnement du moteur en mode RAPIDE.
5. **Démarrage manuel (le cas échéant) avec clé de contact** : Mettre le commutateur à clé (D, Figure 5) à la position de marche/démarrage « ON ».
6. **Démarrage à mécanisme de rappel (le cas échéant)** Tenir fermement la poignée du cordon de démarreur (E, Figure 5). Tirez le cordon du démarreur lentement jusqu'à ce que la résistance soit ressentie, puis tirez rapidement.



## AVERTISSEMENT

Une rétraction rapide du cordon du démarreur (effet de rebond) tirera votre main et votre bras vers le moteur plus rapidement que l'on ne peut relâcher le cordon du démarreur. Des os cassés, des fractures, des bleus ou des entorses pourraient se produire. Lors du démarrage du moteur, tirer lentement le cordon du démarreur jusqu'à ce qu'une résistance se produise et tirer ensuite rapidement pour éviter tout effet de rebond.

7. **Démarrage électrique (le cas échéant)** Mettre le contact (D, Figure 5) en position « ON ou START » (DÉMARRAGE).

**AVIS** Pour prolonger la durée de vie du démarreur, utiliser des cycles de démarrage courts (cinq secondes maximum). Attendre une minute entre les cycles de démarrage.

**REMARQUE** : Si après plusieurs tentatives le moteur ne démarre pas, communiquez avec votre dépositaire local ou visitez le site **BRIGGSandSTRATTON.com** ou composez le **1-800-233-3723** (aux États-Unis).

## Système d'étranglement

1. Contrôler le niveau d'huile du moteur. Voir la rubrique **Contrôle du niveau d'huile**.
2. S'assurer que les commandes d'entraînement de l'équipement sont débrayées.
3. Tourner le robinet de carburant (A, Figure 5, le cas échéant), à la position « OPEN » (OUVERT).
4. Déplacez le levier de commande du régime moteur (B, Figure 5, le cas échéant), à la position « FAST ».(RAPIDE). Fonctionnement du moteur en mode RAPIDE.
5. Déplacer le levier de commande d'étranglement (C, figure 5), ou de commande combinée étranglement et papillon des gaz (levier B, C) à la position « CLOSED » (fermé).

**REMARQUE** : L'étranglement n'est généralement pas nécessaire lorsque le moteur est chaud.

6. **Démarrage manuel (le cas échéant) avec clé de contact** : Mettre le commutateur à clé (D, Figure 5) à la position de marche/démarrage « ON ».
7. **Démarrage à mécanisme de rappel (le cas échéant)** Tenir fermement la poignée du cordon de démarreur (E, Figure 5). Tirez le cordon du démarreur lentement jusqu'à ce que la résistance soit ressentie, puis tirez rapidement.

## AVERTISSEMENT

Une rétraction rapide du cordon du démarreur (effet de rebond) tirera votre main et votre bras vers le moteur plus rapidement que l'on ne peut relâcher le cordon du démarreur. Des os cassés, des fractures, des bleus ou des entorses pourraient se produire. Lors du démarrage du moteur, tirer lentement le cordon du démarreur jusqu'à ce qu'une résistance se produise et tirer ensuite rapidement pour éviter tout effet de rebond.

8. **Démarrage électrique (le cas échéant)** Mettre le contact (D, Figure 5) en position « ON ou START » (DÉMARRAGE).

**AVIS** Pour prolonger la durée de vie du démarreur, utiliser des cycles de démarrage courts (cinq secondes maximum). Attendre une minute entre les cycles de démarrage.

9. Au fur et à mesure que le moteur se réchauffe, déplacer la commande d'étrangleur (C, Figure 5) à la position « OPEN » (OUVERT).

**REMARQUE** : Si après plusieurs tentatives le moteur ne démarre pas, communiquez avec votre dépositaire local ou visitez le site **BRIGGSandSTRATTON.com** ou composez le **1-800-233-3723** (aux États-Unis).

## Arrêter le moteur

### AVERTISSEMENT

Le carburant et ses émanations sont extrêmement inflammables et explosives.

Un incendie ou une explosion peut provoquer des brûlures graves voire la mort.

- Ne pas étrangler le carburateur pour arrêter le moteur.
1. Désengager les commandes de l'équipement. Pour localiser les commandes à distance et apprendre leur fonctionnement, consultez le manuel de la machine.
  2. Déplacez le levier de commande du régime moteur (B, Figure 5, le cas échéant), à la position « SLOW » (LENT).

3. Mettre le commutateur à clé (D, Figure 5) à la position de marche « OFF ou STOP ». Retirer la clé et la garder dans un endroit sécuritaire hors de la portée des enfants.
4. Après l'arrêt du moteur, tourner le robinet de carburant (A, Figure 5, le cas échéant), à la position « CLOSED ».

## Entretien

**AVIS** Si le moteur est basculé pendant l'entretien, le réservoir de carburant doit être vidé et le côté où se trouve la bougie doit être en haut. Si le réservoir de carburant n'est pas vide et si le moteur est basculé dans toute autre direction, il sera peut-être difficile de le faire démarrer par suite d'huile ou de carburant contaminant le filtre à air et/ou la bougie.

## AVERTISSEMENT

S'il est nécessaire de basculer l'équipement au cours de l'entretien, le réservoir de carburant, s'il est monté sur le moteur, doit être vidé, sinon le carburant risque de couler et d'entraîner un incendie ou une explosion.

Nous vous recommandons de confier à un Réparateur Briggs & Stratton agréé tout l'entretien de votre moteur et de ses pièces.

**AVIS** Tous les composants de ce moteur doivent rester à leur place d'origine pour que le moteur fonctionne correctement.

## AVERTISSEMENT

Une étincelle accidentelle peut provoquer un incendie ou une décharge électrique.

Un démarrage accidentel peut causer un étranglement, l'amputation ou la lacération d'un membre.

Risque d'incendie

### Avant d'effectuer des réglages ou des réparations :

- Débrancher le fil de bougie et l'attacher à bonne distance de la bougie.
- Débrancher le câble Négatif de la batterie (uniquement pour les moteurs à démarrage électrique).
- N'utiliser que les outils corrects.
- Ne pas modifier le ressort du régulateur, les tringles ou autres pièces pour augmenter le régime du moteur.
- Les pièces de rechange doivent être d'origine et installées de la même façon que les pièces remplacées. D'autres pièces peuvent ne pas fonctionner aussi bien, peuvent endommager la machine et peuvent provoquer des blessures.
- Ne pas taper sur le volant moteur avec un marteau ou un objet dur ; cela pourrait entraîner une rupture ultérieure du volant pendant que le moteur fonctionne.

### Contrôle de l'étincelle :

- Utiliser un contrôleur homologué.
- Ne pas contrôler l'étincelle avec la bougie retirée.

## Service du Contrôle des émissions

L'entretien, le remplacement ou la réparation des dispositifs et systèmes de contrôle des émissions peuvent être effectués par tout établissement de réparation de moteurs hors route ou par une personne qualifiée. Cependant, pour obtenir un service après-vente « gratuit » du contrôle des émissions, le travail doit être effectué par un revendeur agréé de l'usine. Voir la déclaration sur le contrôle des émissions.

## Calendrier d'entretien

Les 5 premières heures
<ul style="list-style-type: none"><li>• Changement de l'huile <sup>2</sup></li></ul>
Toutes les 8 heures ou chaque jour
<ul style="list-style-type: none"><li>• Vérifier le niveau d'huile du moteur</li><li>• Nettoyer la région autour des commandes et du silencieux</li></ul>
Toutes les 25 heures ou 1 fois l'an
<ul style="list-style-type: none"><li>• Nettoyer le filtre à air <sup>1</sup></li></ul>
Toutes les 50 heures ou 1 fois l'an

<ul style="list-style-type: none"> <li>• Changement de l'huile moteur <sup>3</sup></li> <li>• Changement du filtre à huile (le cas échéant) <sup>3</sup></li> <li>• Service du système d'échappement</li> </ul>
<b>Toutes les 100 heures ou 1 fois l'an</b>
<ul style="list-style-type: none"> <li>• Changement de l'huile moteur <sup>4</sup></li> <li>• Changement du filtre à huile (le cas échéant) <sup>4</sup></li> </ul>
<b>Toutes les 250 heures</b>
<ul style="list-style-type: none"> <li>• Remplacer le filtre à air</li> </ul>
<b>Tous les ans</b>
<ul style="list-style-type: none"> <li>• Remplacement des bougies</li> <li>• Remplacer le filtre à air</li> <li>• Remplacer le filtre de pré-nettoyage</li> <li>• Remplacer le filtre à carburant</li> <li>• Maintenance du système de refroidissement <sup>1</sup></li> <li>• Contrôle du dégagement de soupape <sup>5</sup></li> </ul>

<sup>1</sup> Nettoyer plus souvent si les conditions sont poussiéreuses ou s'il y a des particules en suspension dans l'air.

<sup>2</sup> Seulement les moteurs sans filtre.

<sup>3</sup> Moteur sans filtre ou avec filtre à huile noire standard (voir la page de **Spécifications** pour le numéro de pièce).

<sup>4</sup> Moteur avec filtre huile à haut rendement jaune ou orange (voir la page de **Spécifications** pour le numéro de pièce).

<sup>5</sup> Non requis à moins de détection de problèmes de performance du moteur.

## Système de gestion électronique de carburant

Le système de gestion électronique de carburant répond à la température du moteur, de son régime et de la tension de l'accumulateur pour régler l'étrangleur pour le démarrage et durant la période de réchauffement. Il n'y a aucun réglage sur le système. Si des problèmes de démarrage ou de fonctionnement surviennent, consultez un dépositaire de service autorisé Briggs & Stratton.

**AVIS** Assurez-vous de suivre la procédure ci-dessous sinon le système de gestion de carburant électronique pourrait être endommagé.

- Ne jamais actionner le démarreur si les connexions des câbles de l'accumulateur sont desserrées.
- Placez la clé de contact à la position OFF avant de déconnecter, déposer ou de reposer l'accumulateur.
- Ne jamais tenter de démarrer le moteur avec le chargeur branché.
- Ne jamais déconnecter les câbles de l'accumulateur lorsque le moteur est en marche.
- Pour le raccordement de l'accumulateur, connecter le câble (+) et ensuite le câble (-).
- Pour recharger le bloc-piles, placer le contact à la position OFF et retirer le câble (-) de sa connexion.
- Ne pas exposer l'unité de commande électronique à un jet d'eau direct.

## Carburateur et régime moteur

Ne jamais procéder à des réglages du carburateur ou du régime moteur. Le carburateur a été réglé en usine pour fonctionner de manière efficace dans la plupart des conditions. Ne pas altérer le ressort du régulateur, la tringlerie ou toute autre pièce pour augmenter le régime du moteur. Si un réglage s'impose, s'adresser à une Station Service Briggs & Stratton agréée.

**AVIS** Le constructeur de l'équipement spécifie le régime maximal du moteur tel qu'installé sur l'équipement. **Ne pas dépasser** ce régime. En cas de doute quant au régime maximal pour l'équipement ou au régime moteur configuré en sortie d'usine, s'adresser à une Station Service Briggs & Stratton agréée. Pour garantir la sécurité et le bon fonctionnement de l'équipement, le régime moteur ne doit être réglé que par un technicien de service qualifié.

## Entretien de la bougie

Voir Figure : 6

Vérifier l'écartement des électrodes (A, Figure 6) avec une jauge à fil (B). Régler l'écartement des électrodes au besoin. Remettre la bougie et la serrer au couple recommandé. Pour régler l'écartement et trouver le couple de serrage, voir la section **Spécifications**.

**REMARQUE :** Dans certains pays, la législation impose l'emploi de bougies à résistance pour supprimer les parasites à l'allumage. Si ce moteur était équipé d'une bougie avec résistance, utiliser le même type de bougie lors de son remplacement.

## Service du système d'échappement



**AVERTISSEMENT** Les moteurs en marche produisent de la chaleur. Les pièces du moteur, en particulier le silencieux, deviennent extrêmement chaudes.

Des brûlures thermiques graves peuvent se produire au contact.

Des débris combustibles tels que, feuilles, herbes, broussailles, etc., peuvent prendre feu.

- Laisser le silencieux, le cylindre de moteur et les ailettes refroidir avant de toucher.
- Enlever tous débris accumulés de la section du silencieux et de la section du cylindre.
- L'utilisation ou le fonctionnement du moteur sur des terrains forestiers, broussailleux ou herbeux constituent une violation de la Section 4442 du Code des ressources publiques de Californie, à moins que le système d'échappement ne soit équipé d'un pare-étincelles, comme le définit la Section 4442, maintenu en bon état de marche. D'autres provinces ou juridictions fédérales peuvent avoir des lois similaires. Communiquez avec le fabricant, le détaillant ou le revendeur d'origine de l'appareil pour obtenir un pare-étincelles conçu pour le système d'échappement installé sur ce moteur.

Les pièces du système d'échappement sont montées par le fabricant de l'équipement. Pour obtenir des renseignements particuliers à l'entretien ou les numéros de pièces à remplacer, communiquez avec le fabricant de l'équipement.

Enlever tous débris accumulés de la zone autour du silencieux et de l'ouverture de la tête du moteur Inspecter le silencieux pour détecter corrosion, fissures ou tout dommage. Déposer le déflecteur ou pare-flammes de retour (le cas échéant) et s'assurer qu'il n'y a pas de blocage de dépôts de carbone. Si des dommages sont découverts, installer les pièces de remplacement requises avant de faire fonctionner le moteur.



**AVERTISSEMENT** Les pièces de rechange doivent être de la même conception et installées dans la même position que les pièces d'origine. D'autres pièces peuvent ne pas fonctionner aussi bien, peuvent endommager la machine et peuvent entraîner des blessures.

## Changer l'huile du moteur

Voir la Figure : 7, 8, 9, 10, 11

L'huile vidangée est un produit de résidus dangereux et elle doit être jetée de façon appropriée. Ne pas la jeter avec les déchets ménagers. Vérifier avec les autorités locales, les centres de services ou les revendeurs où se trouvent les installations d'élimination des déchets ou de recyclage.

### Vidange d'huile

1. Alors que le moteur est arrêté mais encore chaud, déconnecter le(s) câble(s) de bougie(s) (D, Figure 7) et les tenir à l'écart de la bougie (E).
2. Retirer le bouchon-jauge (A, Figure 8).

### Bouchon de vidange d'huile, le cas échéant

1. Déposer le bouchon de vidange d'huile (F, Figure 8). Laisser l'huile couler dans un récipient approuvé.

**REMARQUE :** l'un ou l'autre des bouchons de vidange d'huile (G, Figure 8) peut être installé sur le moteur.

2. Une fois que l'huile est vidangée, installer et serrer le bouchon de vidange d'huile (F, Figure 8).

### Orifice de vidange rapide d'huile, le cas échéant

1. Détacher le flexible de vidange rapide d'huile (H, Figure 9) du côté du moteur.

2. Tourner et déposer le bouchon de vidange (I, Figure 9). Abaisser lentement le flexible de vidange d'huile rapide (H) dans un contenant approuvé (J).
3. Une fois que l'huile est vidangée, reposer le bouchon de rapide vidange d'huile (I, Figure 9). Fixer le flexible de vidange rapide d'huile (H) sur le côté du moteur.

### Changement du filtre à huile (le cas échéant)

Certains modèles sont munis d'un filtre à huile. Pour connaître les intervalles de remplacement, se voir le **Calendrier d'entretien**.

1. Vidange d'huile du moteur. Voir la rubrique **Vidange d'huile**.
2. Déposer le filtre à huile (K, Figure 10) et en disposer de façon adéquate.
3. Avant d'installer le nouveau filtre, lubrifier légèrement son joint d'étanchéité avec de l'huile propre.
4. Visser le filtre à huile à la main jusqu'à ce que son joint d'étanchéité fasse contact à l'adaptateur de filtre et puis le serrer de 1/2 à 3/4 de tour.
5. Ajout d'huile Voir la rubrique **Ajout d'huile**.
6. Démarrage et marche du moteur Lors du réchauffement du moteur, s'assurer qu'il n'y a pas de fuite autour du filtre (ou du bouchon de vidange).
7. Arrêter le moteur et contrôler le niveau d'huile. Le niveau adéquat est au dessus de la marque du haut de la jauge (B, Figure 11).

### Ajouter de l'huile

- S'assurer que la machine est nivelée.
- Débarrasser de tout débris la zone de remplissage d'huile.
- Pour le volume d'huile, voir la rubrique **Fiche technique**.

1. Retirer la jauge d'huile (A, Figure 11) et l'essuyer avec un chiffon propre.
2. Verser l'huile lentement dans le tube de remplissage (C, Figure 11). **Ne pas trop remplir.** Après avoir ajouté de l'huile, attendre une minute, puis vérifier le niveau d'huile.

**REMARQUE :** Ne pas ajouter d'huile par l'orifice de vidange rapide (H, Figure 9), le cas échéant.

3. Replacer et serrer le bouchon-jauge (A, Figure 11).
4. Sortir la jauge et contrôler le niveau d'huile. Le niveau adéquat est au dessus de la marque du haut de la jauge (B, Figure 11).
5. Replacer et serrer le bouchon-jauge (A, Figure 11).
6. Rebrancher le(s) câble(s) d'allumage (D, Figure 7) sur la/les bougie(s) (E).

## Entretien du filtre à air

Voir la Figure : 12, 13



**Le carburant et ses vapeurs sont extrêmement inflammables et explosifs.**  
**Un incendie ou une explosion peut provoquer des brûlures graves voire la mort.**

- Ne jamais démarrer ou faire fonctionner le moteur lorsque le dépollueur (si la tondeuse en est équipée) ou le filtre à air (si la tondeuse en est équipée) est retiré.

**AVIS** Ne pas utiliser de l'air comprimé ou solvants pour nettoyer le filtre. L'air comprimé peut endommager le filtre et les solvants peuvent le dissoudre.

Pour les exigences de service, voir le **Calendrier d'entretien**.

1. Desserrer la quincaillerie (A, Figure 12) et déposer le couvercle (B).
2. Ouvrir le verrou (C, Figure 13) et déposer le filtre (D).
3. Retirer le préfiltre (E, Figure 13, le cas échéant) du filtre (D).
4. Pour faire tomber les débris, tapoter doucement le filtre sur une surface dure. Si le filtre est excessivement colmaté, le remplacer par un neuf.
5. Laver le préfiltre au détergent liquide et à l'eau. Le laisser ensuite sécher complètement à l'air libre. **Ne pas huiler** le préfiltre.
6. Assembler le préfiltre sec (E, Figure 13) au filtre (D).
7. Insérer le filtre (D, Figure 12) et refermer le verrou (C).
8. Reposer le couvercle (B, Figure 12) et fixer à l'aide des attaches (A).

## Service de système de carburant

Voir la Figure : 14, 15



**Le carburant et ses vapeurs sont extrêmement inflammables et explosifs.**

**Un incendie ou une explosion peut provoquer des brûlures graves voire la mort.**

- Garder le carburant loin des étincelles, des flammes nues, des veilleuses, de la chaleur et autres sources d'allumage.
- Vérifier les conduits d'essence, le réservoir, le bouchon du réservoir et les raccords pour y détecter toute fissure ou fuite. Remplacez si nécessaire.
- Avant de nettoyer ou de remplacer le filtre à carburant, vidanger le réservoir de carburant ou fermer le robinet d'écoulement.
- Si le carburant se renverse, attendre jusqu'à ce qu'il soit évaporé avant de mettre en marche le moteur.
- Les pièces de rechange doivent être identiques aux pièces d'origine et être installées à la même position.

### Filtre de carburant (le cas échéant)

1. Avant de nettoyer ou de remplacer le filtre à carburant (A, Figure 14), vidanger le réservoir de carburant ou fermer le robinet d'écoulement. Autrement, le carburant peut se répandre et causer un incendie ou une explosion.
2. Utilisez des pinces pour serrer les languettes (B Figure 14), contre les attaches (C), puis éloignez les attaches du filtre à essence (A) en les faisant glisser. Tournez et tirez les conduits d'essence hors du filtre à essence.
3. Inspecter les conduites du circuit de carburant (D, Figure 14) pour détecter toute fissure ou fuite. Remplacez si nécessaire.
4. Remplacez le filtre à essence (A, Figure 14), avec un filtre de remplacement original pour l'équipement.
5. Fixer les conduites de carburant (D, Figure 14) de façon sécuritaire avec des attaches (C) comme montré.

### Crépine de carburant (le cas échéant)

1. Retirer le bouchon du réservoir de carburant (A, Figure 15).
2. Retirer le bouchon du réservoir de carburant (A, Figure 15).
3. Si la crépine est sale, la nettoyer ou la remplacer. Si vous remplacez la crépine à carburant, assurez-vous d'utiliser la pièce d'équipement d'origine.

## Service du système de refroidissement

Voir la Figure : 16, 17



**Les moteurs en marche produisent de la chaleur. Les pièces du moteur, en particulier le silencieux, deviennent extrêmement chaudes.**

**Des brûlures thermiques graves peuvent se produire au contact.**

**Des débris combustibles tels que, feuilles, herbes, broussailles, etc., peuvent prendre feu.**

- Laisser le silencieux, le cylindre de moteur et les ailettes refroidir avant de toucher.
- Enlever tous débris accumulés de la section du silencieux et de la section du cylindre.

**AVIS** Ne pas nettoyer le moteur sous eau. L'eau pourrait contaminer le système d'alimentation de carburant. Servez-vous d'une brosse ou d'un chiffon sec.

Ce moteur est refroidi à l'air. La saleté ou débris peuvent restreindre le débit d'air et causer la surchauffe du moteur, conduisant à un mauvais rendement et une usure anormale, causant une fin de vie précoce.

1. Se servir d'une brosse ou d'un chiffon sec pour dégager les débris de la prise d'air (A, Figure 16).
2. Garder la tringlerie, ressorts et commandes (B, Figure 16) propre.
3. Garder la zone autour et derrière le silencieux libre de tout débris inflammable.
4. S'assurer que les ailettes du refroidisseur (C, Figure 16) sont libre de saleté et débris.
5. Desserrer la quincaillerie (D, Figure 16) et déposer le couvercle du filtre à air (E).
6. Desserrer la quincaillerie (F, Figure 16) et ouvrir les panneaux extérieurs (G, Figure 17) pour accéder aux débris. Retirer tout le gazon et débris accumulé sur le moteur.

7. Refermer les panneaux d'accès aux débris (G, Figure 17) et fixer à l'aide des attaches (F, Figure 16).
8. Reposer le couvercle (E, Figure 16) et fixer à l'aide des attaches (D).

À la longue, de la saleté peut s'accumuler dans les ailettes de refroidissement du bloc moteur causant la surchauffe des organes mécaniques. Un bon nettoyage ne peut être réalisé sans un démontage partiel du moteur. Faites inspecter et nettoyer le système de refroidissement par un dépositaire autorisé Briggs & Stratton, selon le calendrier d'entretien recommandé.

## Entreposage



**AVERTISSEMENT**

L'essence et ses vapeurs sont extrêmement inflammables et explosives.

Un incendie ou une explosion peuvent provoquer de très graves blessures ou être mortelles.

### Pour stocker du carburant ou l'équipement avec un réservoir plein

- Les ranger à l'écart des chaudières, cuisinières, chauffe-eaux ou autres appareils ménagers comportant une veilleuse ou une source d'ignition pouvant enflammer les vapeurs d'essence.

**AVIS** Stocker le moteur de niveau (en position normale de fonctionnement). Si la machine est basculée pendant l'entretien, le réservoir de carburant doit être vide et le côté où se trouve la bougie doit être en haut. Si le réservoir de carburant n'est pas vide et si le moteur est basculé dans toute autre direction, il sera peut-être difficile de le faire démarrer par suite d'huile ou de carburant contaminant le filtre à air et/ou la bougie.

### Système d'alimentation

L'essence peut s'évaporer quand on la stocke pendant plus de 30 jours. De l'essence évaporée provoque des dépôts d'acide et de gomme dans le système d'alimentation ou sur les principales pièces du carburateur. Pour maintenir l'essence en état, utiliser le **stabilisateur et agent de traitement de carburant à formule avancée de Briggs & Stratton**, disponible partout où les pièces de rechange d'origine Briggs & Stratton sont vendues.

Il n'est pas nécessaire de vidanger l'essence du moteur si un stabilisateur est ajouté conformément aux instructions. Faire tourner le moteur pendant deux (2) minutes pour faire circuler le stabilisateur dans le système d'alimentation avant le stockage.

Si l'essence dans le moteur n'a pas été traitée avec un stabilisateur, elle doit être vidangée dans un récipient adapté. Faire fonctionner le moteur jusqu'à ce qu'il s'arrête en panne sèche. L'utilisation d'un stabilisateur d'essence dans le récipient de stockage est recommandée pour en conserver la fraîcheur.

### Huile moteur

Pendant que le moteur est encore chaud, changer l'huile du moteur. Voir la section **Changer l'huile moteur**.

## Dépannage

Pour assistance, communiquez avec votre dépositaire local ou visitez le site **BRIGGSandSTRATTON.com** ou composez le **1-800-233-3723** (aux États-Unis).

## Fiche technique

Modèle : 400000	
Cylindrée	40.03 ci (656 cc)
Alésage	2.970 in (75,43 mm)
Course	2.890 in (73,41 mm)
Volume d'huile	62 - 64 oz (1,8 - 1,9 L)
Écartement des électrodes de bougie	.030 in (.76 mm)
Couple de serrage de bougie	180 lb-in (20 Nm)
Entrefer armature/carcasse	.008 - .012 in (.20 - .30 mm)
Jeu de soupape d'admission	.004 - .006 in (.10 - .15 mm)
Jeu de soupape d'échappement	.004 - .006 in (.10 - .15 mm)

Modèle : 440000	
Cylindrée	44.18 ci (724 cc)
Alésage	3.120 in (79,24 mm)
Course	2.890 in (73,41 mm)
Volume d'huile	62 - 64 oz (1,8 - 1,9 L)
Écartement des électrodes de bougie	.030 in (.76 mm)
Couple de serrage de bougie	180 lb-in (20 Nm)
Entrefer armature/carcasse	.008 - .012 in (.20 - .30 mm)
Jeu de soupape d'admission	.004 - .006 in (.10 - .15 mm)
Jeu de soupape d'échappement	.004 - .006 in (.10 - .15 mm)

Modèle : 490000	
Cylindrée	49.42 ci (810 cc)
Alésage	3.300 in (83,81 mm)
Course	2.890 in (73,41 mm)
Volume d'huile	66 - 68 oz (1,9 - 2,0 L)
Écartement des électrodes de bougie	.030 in (.76 mm)
Couple de serrage de bougie	180 lb-in (20 Nm)
Entrefer armature/carcasse	.008 - .012 in (.20 - .30 mm)
Jeu de soupape d'admission	.004 - .006 in (.10 - .15 mm)
Jeu de soupape d'échappement	.004 - .006 in (.10 - .15 mm)

La puissance du moteur sera réduite de 3,5 % pour chaque 300 mètres (1 000 pieds) au-dessus du niveau de la mer, et de 1 % pour chaque 5,6° C (10° F) au-dessus de 25° C (77°). Le moteur fonctionnera normalement jusqu'à 15° d'inclinaison. Voir le Manuel de l'opérateur de la machine pour connaître les limites d'utilisation sécuritaire sur des pentes.

Pièces de rechange - Modèle : 400000, 440000, 490000	
Pièce de rechange	Référence
Filtre à air type cyclone	798897
Préfiltre d'air	593217
Huile - SAE 30	100028
Filtre à huile standard - noir	492932
Filtre à air à haut rendement - jaune	795890
Filtre à air à haut rendement - orange	798576
Additif pour carburant	100117, 100120
Filtre à carburant	691035
Bougie à résistance	491055
Bougie platine à grande longévité	5066
Clé pour bougie d'allumage	19374
Vérificateur d'allumage	19368

Nous recommandons de consulter un concessionnaire Briggs & Stratton agréé pour tout entretien et réparation du moteur et des pièces de moteur.

**Puissances nominales** : La puissance brute de chaque modèle de moteur à essence est indiquée conformément au Code J1940 (procédure de calcul de la puissance et du couple des petits moteurs) de la norme SAE (Society of Automotive Engineers), et elle a été obtenue conformément à la norme SAE J1995. Les valeurs de couple sont calculées à 2 600 tr/min pour les moteurs dont l'étiquette porte la mention « RPM » et à 3 060 tr/min pour tous les autres. Les valeurs en CV sont dérivées à 3 600 tr/min. Les courbes de puissance brute peuvent être consultées sur le site [www.BRIGGSandSTRATTON.COM](http://www.BRIGGSandSTRATTON.COM). Les valeurs données pour la puissance nette sont mesurées avec l'échappement ou le filtre à air installé tandis que les valeurs données pour la puissance brute sont recueillies sans ces accessoires. La puissance brute réelle du moteur sera plus élevée que la puissance nette du moteur et est affectée, entre autres, par les conditions atmosphériques de fonctionnement et les variations d'un moteur à l'autre. Compte tenu de la grande variété de machines sur lesquelles nos moteurs sont utilisés, il se peut que le moteur à essence ne développe pas la puissance nominale brute une fois qu'il est monté sur une machine particulière. Cette différence s'explique par un grand nombre de facteurs, y compris, sans toutefois s'y limiter, la diversité des composants du moteur (filtre à air, échappement, admission, refroidissement, carburateur, pompe à essence, etc.), limites d'utilisation, conditions ambiantes d'utilisation (température, humidité, altitude) et variations d'un moteur à l'autre. Pour des raisons de fabrication et de capacité limitées, Briggs & Stratton est susceptible de remplacer ce modèle par un moteur plus puissant.

# Garantie

## Garantie de moteur Briggs & Stratton

Entrée en vigueur : janvier 2016

### Garantie limitée

La société Briggs & Stratton garantit que, durant la période indiquée ci-dessous elle réparera ou remplacera sans frais toute pièce qui est défectueuse sous les aspects matériel ou de main-d'œuvre, ou les deux. Le transport du produit soumis à une réparation ou remplacement devra être défrayé par le propriétaire. La présente garantie est valide pour la période de temps indiquée ci-dessous, et comprend les conditions énumérées. Pour une demande de compensation sous garantie, trouver le dépositaire de service autorisé le plus près avec notre outil « dealer locator map » à BRIGGSandSTRATTON.COM. Le propriétaire devra communiquer avec le dépositaire de service autorisé et rendre le produit disponible pour inspection et essais.

**Aucune garantie expresse. Les garanties tacites, comprenant celles de marchandage et d'aptitude pour une fin particulière sont limitées à la période de garantie indiquée ci-dessous ou selon ce qui est permis par la loi.** La responsabilité pour les dommages accessoires ou consécutifs sont exclus selon ce qui est permis par la loi. Certains États, provinces ou pays ne permettent pas de limite de temps sur la durée des garanties tacites, et certains États, provinces ou pays ne permettent pas l'exclusion ou les limites sur les dommages accessoires ou consécutifs, alors la limite et exclusion ci-dessus pourraient ne pas s'appliquer dans votre cas. La présente garantie vous donne des droits particuliers, et vous pourriez également avoir d'autres droits qui varient d'un État, province ou pays à un autre <sup>4</sup>.

### Modalités standard de la garantie 1, 2

Marque/Nom de produit	Usage privé	Usage commercial
Vanguard™ <sup>3</sup>	36 mois	36 mois
Série commerciale Commercial Turf Series™	24 mois	24 mois
Moteurs mettant en vedette une chemise de cylindre en fonte Dura-Bore™	24 mois	12 mois
Tous les autres moteurs Briggs & Stratton	24 mois	3 mois

<sup>1</sup> Voilà nos modalités de garantie standard, mais de temps à autre, une couverture de garantie supplémentaire non déterminée au moment de cette publication pourrait être offerte. Pour la présentation des modalités actuelles pour votre moteur, naviguez à BRIGGSandSTRATTON.com ou communiquez avec votre dépositaire de service autorisé Briggs & Stratton.

<sup>2</sup> Aucune garantie n'est offerte sur les moteurs utilisés sur un équipement de remplacement de service utilitaire ou génératrice d'urgence pour des fins commerciales. Les moteurs utilisés sur véhicules de course de compétition sur pistes commerciales ou louées ne sont pas garantis.

<sup>3</sup> Vanguard montés sur une génératrice d'urgence : 24 mois pour les consommateurs privés; pas de garantie pour un usage commercial. <sup>3</sup> Vanguard montés sur véhicules utilitaires : 24 mois pour les consommateurs privés; 24 mois pour un usage commercial. Vanguard à trois cylindres à liquide de refroidissement : Voir la Politique de garantie de moteur Briggs & Stratton 3/LC.

<sup>4</sup> En Australie - Nos produits sont offerts avec une garantie sans exclusion selon la loi pour les consommateurs australiens. Vous avez droit à un remplacement ou un remboursement pour toute avarie majeure, ou à une compensation pour toute autre perte ou dommage estimable de façon raisonnable. Vous pouvez également opter de faire réparer ou remplacer le produit s'il n'est pas de qualité acceptable ou et que sa panne n'est pas une avarie majeure. Pour une demande de compensation sous garantie, trouver le dépositaire de service autorisé le plus près avec notre outil « dealer locator map » à BRIGGSandSTRATTON.COM. ou en composant le 1300 274 447, ou encore en écrivant un courriel à : salesenquiries@briggsandstratton.com.au, ou par la poste à : Briggs & Stratton Australia Pty Ltd, 1 Moorebank Avenue, Moorebank, NSW, Australia, 2170.

La période de garantie commence à la date d'achat original par un consommateur privé ou commercial. Utilisation privée signifie usage à un domicile résidentiel par un consommateur privé. Usage commercial sert pour tous les autres usages, comprenant une utilisation pour générer des revenus ou pour fins de location. Pour les fins de la présente garantie, si un moteur est à un moment donné utilisé pour une application commerciale, il sera par la suite considéré comme un moteur à utilisation commerciale.

**Conservez votre reçu de caisse comme preuve d'achat. Si au moment d'une demande de compensation sous garantie aucune preuve d'achat n'est fournie, la date de fabrication du produit sera utilisée pour établir la période de garantie. Un enregistrement de produit n'est pas requis pour obtenir des services sous garantie des produits Briggs & Stratton.**

### À propos de votre garantie

La présente garantie limitée couvre le matériel ou main-d'œuvre associés au moteur ou un problème de main-d'œuvre seulement, mais non un remplacement ou remboursement de la machine entraînée par le moteur. La présente garantie ne couvre pas l'entretien

régulier, les mises-au-point, réglages ou usure normale. Également, la garantie ne s'appliquera pas si le moteur a été trafiqué ou modifié, ou si son numéro de série a été enlevé ou effacé. La présente garantie ne couvre pas les dommages au moteur ou défauts de performance causés par :

1. L'utilisation de pièces qui ne sont pas des pièces d'origine Briggs & Stratton;
2. Le fonctionnement du moteur sans avoir suffisamment d'huile ou ayant de l'huile contaminée ou de grade inadéquat;
3. L'utilisation de carburant contaminé ou éventé, de l'essence formulée avec de l'éthanol à plus de 10 %, ou l'utilisation de variante de carburant comme le gaz de pétrole liquéfié ou le gaz naturel sur un moteur non conçu et produit à l'origine par Briggs & Stratton pour fonctionner avec de tels carburants;
4. De la saleté introduite dans le moteur pour cause d'entretien inadéquat du filtre à air ou de son remontage incorrect.
5. Frapper un objet avec la lame d'une tondeuse à gazon rotative, ou lame de coupe ou adaptateur ou autre gréement ou roue accouplé au vilebrequin desserré ou mal installé ou courroie trop serrée;
6. Pièces ou ensembles accessoires comme embrayage, boîte de vitesse, commande d'équipement etc. non fournis par Briggs & Stratton;
7. Surchauffe pour cause d'accumulation d'herbe, saleté et débris ou nids de vermine qui obstruent les ailettes de refroidissement ou l'aire du volant, ou faire fonctionner le moteur sans aération adéquate;
8. Vibration excessive due à une survitesse, un montant de moteur desserré, une lame ou roue lâche ou déséquilibrée, ou un mauvais accouplement de gréements sur le vilebrequin.
9. Abus d'utilisation, ou manque d'entretien régulier, mauvaise manipulation de transport et d'entreposage ou mauvais montage du moteur.

**Le service sous garantie n'est seulement disponible par les dépositaires de service autorisés Briggs & Stratton. Localiser le dépositaire de service autorisé le plus près avec notre outil « dealer locator map » à BRIGGSandSTRATTON.COM. ou en composant le 1-800-233-3723 (aux États-Unis).**

80004537 (Rév. B)

## Garantie des émissions Briggs & Stratton

### Déclaration de garantie du système de contrôle des émissions du California, de la United States Environmental Protection Agency, et de Briggs & Stratton Corporation - Vos droits et obligations au titre de la garantie

**Pour les modèles de moteurs Briggs & Stratton avec désignation de ligne « F » (référence modèle-type-ligne xxxxxx xxxx Fx)**

Le California Air Resources Board (CARB), la United States Environmental Protection Agency (U.S. EPA) et Briggs & Stratton (B&S) ont le plaisir de vous expliquer la garantie du système de contrôle des émissions pour votre moteur/équipement année modèle 2015-2017. En Californie, les petits moteurs à usage non routier et les gros moteurs à explosion d'un litre ou moins neufs doivent être conçus, fabriqués et équipés pour répondre aux normes anti-pollution strictes de l'État. B&S doit garantir le système de contrôle des émissions de votre moteur/équipement pendant les durées indiquées ci-après, en supposant que le moteur ou l'équipement n'a pas fait l'objet d'abus, de négligence ou d'un mauvais entretien.

Votre système de contrôle des émissions d'échappement peut comporter des pièces telles que le carburateur, le système d'injection de carburant, le système d'allumage et le convertisseur catalytique. Peuvent également être inclus des durites, des courroies, des raccords, des capteurs et d'autres composants liés aux émissions. Votre système de contrôle des émissions par évaporation peut comporter des pièces telles que : carburateurs, réservoirs de carburant, canalisations de carburant, bouchons de remplissage de carburant, vannes, réservoirs à charbon actif, filtres, durites de vapeur, colliers, raccords et autres composants associés.

Si la condition de garantie est remplie, B&S réparera gratuitement votre moteur/équipement, y compris le diagnostic, les pièces et la main-d'œuvre.

### Couverture de la garantie du fabricant :

Les petits moteurs à usage non routier et les gros moteurs à explosion d'un litre ou moins et tous les composants liés aux émissions de l'équipement sont garantis pendant une période de deux ans ou pendant la période stipulée dans la déclaration de garantie du moteur ou du produit concerné, selon celle qui est la plus longue. Si une pièce liée aux émissions de votre moteur/équipement B&S est défectueuse, B&S la réparera ou la remplacera.

### Responsabilités du propriétaire au titre de la garantie :

- En tant que propriétaire d'un moteur/équipement, vous êtes responsable de l'entretien nécessaire indiqué dans le manuel d'utilisation. B&S vous recommande de conserver toutes les factures d'entretien de votre moteur/équipement mais B&S ne peut renier



la garantie uniquement à cause de l'absence de factures ou parce que tous les entretiens n'ont pas été effectués en temps prévu.

- En tant que propriétaire d'un moteur/équipement, vous devez néanmoins savoir que B&S peut refuser d'appliquer la garantie si la défectuosité de votre moteur/équipement ou d'une pièce de celui-ci est due à un abus, une négligence, un entretien incorrect ou des modifications non approuvées.
- Vous avez la responsabilité de confier votre moteur/équipement à un centre de distribution, un Réparateur Agréé ou toute entité équivalente de B&S, selon la solution applicable, dès qu'un problème survient. Les réparations au titre de la garantie doivent être terminées dans un délai raisonnable, ne dépassant pas 30 jours. Si vous avez des questions concernant vos droits et responsabilités au titre de la garantie, vous devez contacter B&S au 1-800-444-7774 (aux États-Unis) ou consulter le site BRIGGSandSTRATTON.COM.

## Dispositions de la garantie de contrôle des émissions Briggs & Stratton

Les dispositions spécifiques relatives à la couverture de la garantie du système de contrôle des émissions sont indiquées ci-dessous. Elles viennent en complément de la garantie des moteurs de B&S pour les moteurs non réglementés qui se trouve dans le manuel d'utilisation.

### 1. Pièces liées aux émissions sous garantie

La couverture au titre de cette garantie ne s'étend qu'aux pièces énumérées ci-dessous (pièces des systèmes de contrôle des émissions) dans la mesure où ces pièces étaient présentes sur le moteur B&S et/ou dans le circuit d'alimentation prévu par B&S.

#### a. Système de dosage du carburant

- Système d'enrichissement pour démarrages à froid (starter)
- Carburateur ou système d'injection de carburant
- Capteur d'oxygène
- Unité de commande électronique
- Module de pompe à carburant
- Canalisation et raccords de carburant, colliers
- Réservoir de carburant, bouchon et câble d'attache
- Réservoir à charbon actif

#### b. Système d'admission d'air

- Filtre à air
- Collecteur d'admission
- Conduite de vidange et de mise à l'air

#### c. Système d'allumage

- Bougie(s)
- Système d'allumage par volant magnétique

#### d. Système catalytique

- Convertisseur catalytique
- Collecteur d'échappement
- Système d'injection d'air ou soupape d'impulsion

#### e. Pièces diverses utilisées dans les systèmes ci-dessus

- Soupapes et contacteurs de dépression, de température, de position et de durée
- Raccords et assemblages

### 2. Durée de la couverture

La couverture porte sur une période de deux ans à compter de la date de l'achat initial ou sur la période stipulée dans la déclaration de garantie du moteur ou du produit concerné, selon celle qui est la plus longue. B&S garantit à l'acheteur initial et à chaque acheteur suivant que le moteur est conçu, fabriqué et équipé de manière à être en conformité avec toutes les réglementations applicables adoptées par l'Air Resources Board, qu'il est exempt de tout défaut de matière ou de construction susceptible d'entraîner la défaillance d'une pièce garantie et qu'il est matériellement identique en tous points au moteur décrit dans la demande de certification du fabricant. La période de garantie démarre à la date de l'achat initial du moteur.

La garantie sur les pièces liées aux émissions est comme suit :

- Toute pièce garantie dont le remplacement n'est pas prévu dans le cadre de la maintenance obligatoire indiquée dans le manuel d'utilisation fourni est garantie pendant la période susmentionnée. Si cette pièce se révèle être défectueuse au cours de la période de garantie, elle sera réparée ou remplacée par B&S sans frais à la charge du propriétaire. La pièce ainsi réparée ou remplacée sera garantie pendant la période restante.
- Toute pièce garantie dont seule une inspection régulière est prévue dans le manuel d'utilisation fourni est garantie pendant la période susmentionnée. La pièce ainsi réparée ou remplacée sera garantie pendant la période restante.

- Toute pièce garantie dont le remplacement est prévu dans le cadre de la maintenance obligatoire indiquée dans le manuel d'utilisation fourni est garantie pendant la période précédant le premier remplacement prévu de cette pièce. Si cette pièce se révèle être défectueuse avant le premier remplacement prévu, elle sera réparée ou remplacée par B&S sans frais à la charge du propriétaire. La pièce ainsi réparée ou remplacée sera garantie pour la période restante précédant le premier remplacement prévu de ladite pièce.
- Les pièces ajoutées ou modifiées qui ne sont pas exemptées par l'Air Resources Board ne peuvent pas être utilisées. L'utilisation par le propriétaire de pièces ajoutées ou modifiées non exemptées sera un motif de rejet de toute réclamation. Le fabricant ne peut en aucun cas être tenu de garantir les défaillances de pièces garanties dues à l'utilisation de pièces non exemptées ajoutées ou modifiées.

### 3. Couverture des conséquences

La présente couverture s'étend à la défaillance de tout composant du moteur due à la défaillance d'une pièce liée aux émissions sous garantie.

### 4. Réclamations et exclusions de garantie

Les réclamations au titre de la garantie doivent être présentées selon les dispositions de la police de garantie des moteurs de B&S. La garantie ne couvre pas les défaillances de pièces liées aux émissions qui ne sont pas des pièces B&S d'origine ou les défaillances de pièces qui ont fait l'objet d'abus, de négligence ou d'un mauvais entretien ainsi qu'indiqué dans la police de garantie des moteurs de B&S. B&S n'est pas tenu de couvrir la garantie des défaillances des pièces liées aux émissions dues à l'utilisation de pièces rajoutées ou modifiées.

## Consultez les informations sur la période de durabilité des émissions et l'indice d'air sur l'étiquette d'émissions du petit moteur à usage non routier

Les moteurs qui sont certifiés conformes à la norme d'émissions relatives aux petits moteurs à usage non routier du California Air Resources Board (CARB) doivent afficher l'information concernant la période de durabilité des émissions et l'indice d'air. Cette information est indiquée sur les étiquettes apposées sur les moteurs par Briggs & Stratton. L'étiquette d'émissions du moteur indique les informations de certification.

La **période de durabilité des émissions** indique le nombre d'heures d'utilisation normale pour lequel le moteur est certifié conforme aux normes d'émissions sous réserve d'un entretien approprié tel qu'indiqué dans le manuel d'utilisation. Les catégories suivantes sont utilisées :

#### Modéré :

Les moteurs de cylindrée inférieure ou égale à 80 cm<sup>3</sup> sont certifiés conformes en matière d'émissions pour 50 heures d'utilisation normale. Les moteurs de cylindrée supérieure à 80 cm<sup>3</sup> sont certifiés conformes en matière d'émissions pour 125 heures d'utilisation normale.

#### Intermédiaire :

Les moteurs de cylindrée inférieure ou égale à 80 cm<sup>3</sup> sont certifiés conformes en matière d'émissions pour 125 heures d'utilisation normale. Les moteurs de cylindrée supérieure à 80 cm<sup>3</sup> sont certifiés conformes en matière d'émissions pour 250 heures d'utilisation normale.

#### Étendu :

Les moteurs de cylindrée inférieure ou égale à 80 cm<sup>3</sup> sont certifiés conformes en matière d'émissions pour 300 heures d'utilisation normale. Les moteurs de cylindrée supérieure à 80 cm<sup>3</sup> sont certifiés conformes en matière d'émissions pour 500 heures d'utilisation normale.

Par exemple, une tondeuse à conducteur marchant classique est utilisée 20 à 25 heures par an. Par conséquent, la **période de durabilité des émissions** d'un moteur de catégorie **intermédiaire** équivaudrait à 10 à 12 ans.

Les moteurs Briggs & Stratton sont certifiés conformes aux normes environnementales d'émissions de la United States Environmental Protection Agency (U.S. EPA) Phase 2 ou Phase 3. La période de conformité d'émissions mentionnée sur les étiquettes indique le nombre d'heures d'utilisation pour lequel le moteur est en conformité avec les normes fédérales américaines.

#### Pour les moteurs de cylindrée inférieure ou égale à 80 cm<sup>3</sup> :

Catégorie C = 50 heures, catégorie B = 125 heures, catégorie A = 300 heures

#### Pour les moteurs de cylindrée supérieure à 80 cm<sup>3</sup> et inférieure à 225 cm<sup>3</sup> :

Catégorie C = 125 heures, catégorie B = 250 heures, catégorie A = 500 heures

#### Pour les moteurs de cylindrée supérieure ou égale à 225 cm<sup>3</sup> :

Catégorie C = 250 heures, catégorie B = 500 heures, catégorie A = 1000 heures

80008114 (Rév D)

## Déclaration de garantie du système de contrôle des émissions du California, de la United States Environmental Protection

## Agency, et de Briggs & Stratton Corporation - Vos droits et obligations au titre de la garantie

Pour les modèles de moteurs Briggs & Stratton avec désignation de ligne « B » ou « G » (référence modèle-type-ligne xxxxxx xxxx Bx ou xxxxxx xxxx Gx)

Le California Air Resources Board (CARB), la United States Environmental Protection Agency (U.S. EPA) et Briggs & Stratton (B&S) ont le plaisir de vous expliquer la garantie du système de contrôle des émissions sur votre moteur année modèle 2015-2017. En Californie, les petits moteurs à usage non routier et les gros moteurs à explosion d'un litre ou moins neufs doivent être conçus, fabriqués et équipés pour répondre aux normes anti-pollution strictes de l'État. B&S doit garantir le système de contrôle des émissions de votre moteur pendant les durées indiquées ci-après, en supposant que le moteur n'a pas fait l'objet d'abus, de négligence ou d'un mauvais entretien.

Votre système de contrôle des émissions d'échappement peut comporter des pièces telles que le carburateur, le système d'injection de carburant, le système d'allumage et le convertisseur catalytique. Peuvent également être inclus des durites, des courroies, des raccords, des capteurs et d'autres composants liés aux émissions.

Si la condition de garantie est remplie, B&S réparera gratuitement votre moteur, y compris le diagnostic, les pièces et la main-d'œuvre.

### Couverture de la garantie du fabricant :

Les petits moteurs à usage non routier et les gros moteurs à explosion d'un litre ou moins et tous les composants liés aux émissions de l'équipement sont garantis pendant une période de deux ans ou pendant la période stipulée dans la déclaration de garantie du moteur ou du produit concerné, selon celle qui est la plus longue. Si une pièce liée aux émissions de votre moteur B&S est défectueuse, B&S la réparera ou la remplacera.

### Responsabilités du propriétaire au titre de la garantie :

- En tant que propriétaire d'un moteur, vous êtes responsable de l'entretien nécessaire indiqué dans le manuel d'utilisation. B&S vous recommande de conserver toutes les factures d'entretien de votre moteur mais B&S ne peut renier la garantie uniquement à cause de l'absence de factures ou parce que tous les entretiens n'ont pas été effectués en temps prévu.
- En tant que propriétaire d'un moteur, vous devez néanmoins savoir que B&S peut refuser d'appliquer la garantie si la défectuosité de votre moteur ou d'une pièce de celui-ci est due à un abus, une négligence, un entretien incorrect ou des modifications non approuvées.
- Vous avez la responsabilité de confier votre moteur à un centre de distribution, un Réparateur Agréé ou toute entité équivalente de B&S, selon la solution applicable, dès qu'un problème survient. Les réparations au titre de la garantie doivent être terminées dans un délai raisonnable, ne dépassant pas 30 jours. Si vous avez des questions concernant vos droits et responsabilités au titre de la garantie, vous devez contacter B&S au 1-800-444-7774 (aux États-Unis) ou consulter le site BRIGGSandSTRATTON.COM.

## Dispositions de la garantie de contrôle des émissions Briggs & Stratton

Les dispositions spécifiques relatives à la couverture de la garantie du système de contrôle des émissions sont indiquées ci-dessous. Elles viennent en complément de la garantie des moteurs de B&S pour les moteurs non réglementés qui se trouve dans le manuel d'utilisation.

1. Pièces liées aux émissions sous garantie  
La couverture au titre de cette garantie ne s'étend qu'aux pièces énumérées ci-dessous (pièces des systèmes de contrôle des émissions) dans la mesure où ces pièces étaient présentes sur le moteur B&S.
  - a. Système de dosage du carburant
    - Système d'enrichissement pour démarrages à froid (starter)
    - Carburateur ou système d'injection de carburant
    - Capteur d'oxygène
    - Unité de commande électronique
    - Module de pompe à carburant
  - b. Système d'admission d'air
    - Filtre à air
    - Collecteur d'admission
  - c. Système d'allumage
    - Bougie(s)
    - Système d'allumage par volant magnétique
  - d. Système catalytique
    - Convertisseur catalytique
    - Collecteur d'échappement
    - Système d'injection d'air ou soupape d'impulsion

- e. Pièces diverses utilisées dans les systèmes ci-dessus
  - Soupapes et contacteurs de dépression, de température, de position et de durée
  - Raccords et assemblages
2. Durée de la couverture  
La couverture porte sur une période de deux ans à compter de la date de l'achat initial ou sur la période stipulée dans la déclaration de garantie du moteur ou du produit concerné, selon celle qui est la plus longue. B&S garantit à l'acheteur initial et à chaque acheteur suivant que le moteur est conçu, fabriqué et équipé de manière à être en conformité avec toutes les réglementations applicables adoptées par l'Air Resources Board, qu'il est exempt de tout défaut de matière ou de construction susceptible d'entraîner la défaillance d'une pièce garantie et qu'il est matériellement identique en tous points au moteur décrit dans la demande de certification du fabricant. La période de garantie démarre à la date de l'achat initial du moteur.

La garantie sur les pièces liées aux émissions est comme suit :

- Toute pièce garantie dont le remplacement n'est pas prévu dans le cadre de la maintenance obligatoire indiquée dans le manuel d'utilisation fourni est garantie pendant la période susmentionnée. Si cette pièce se révèle être défectueuse au cours de la période de garantie, elle sera réparée ou remplacée par B&S sans frais à la charge du propriétaire. La pièce ainsi réparée ou remplacée sera garantie pendant la période restante.
  - Toute pièce garantie dont seule une inspection régulière est prévue dans le manuel d'utilisation fourni est garantie pendant la période susmentionnée. La pièce ainsi réparée ou remplacée sera garantie pendant la période restante.
  - Toute pièce garantie dont le remplacement est prévu dans le cadre de la maintenance obligatoire indiquée dans le manuel d'utilisation fourni est garantie pendant la période précédant le premier remplacement prévu de cette pièce. Si cette pièce se révèle être défectueuse avant le premier remplacement prévu, elle sera réparée ou remplacée par B&S sans frais à la charge du propriétaire. La pièce ainsi réparée ou remplacée sera garantie pour la période restante précédant le premier remplacement prévu de ladite pièce.
  - Les pièces ajoutées ou modifiées qui ne sont pas exemptées par l'Air Resources Board ne peuvent pas être utilisées. L'utilisation par le propriétaire de pièces ajoutées ou modifiées non exemptées sera un motif de rejet de toute réclamation. Le fabricant ne peut en aucun cas être tenu de garantir les défaillances de pièces garanties dues à l'utilisation de pièces non exemptées ajoutées ou modifiées.
3. Couverture des conséquences  
La présente couverture s'étend à la défaillance de tout composant du moteur due à la défaillance d'une pièce liée aux émissions sous garantie.
  4. Réclamations et exclusions de garantie  
Les réclamations au titre de la garantie doivent être présentées selon les dispositions de la police de garantie des moteurs de B&S. La garantie ne couvre pas les défaillances de pièces liées aux émissions qui ne sont pas des pièces B&S d'origine ou les défaillances de pièces qui ont fait l'objet d'abus, de négligence ou d'un mauvais entretien ainsi qu'indiqué dans la police de garantie des moteurs de B&S. B&S n'est pas tenu de couvrir la garantie des défaillances des pièces liées aux émissions dues à l'utilisation de pièces rajoutées ou modifiées.

## Consultez les informations sur la période de durabilité des émissions et l'indice d'air sur l'étiquette d'émissions du petit moteur à usage non routier

Les moteurs qui sont certifiés conformes à la norme d'émissions relatives aux petits moteurs à usage non routier du California Air Resources Board (CARB) doivent afficher l'information concernant la période de durabilité des émissions et l'indice d'air. Cette information est indiquée sur les étiquettes apposées sur les moteurs par Briggs & Stratton. L'étiquette du moteur indique les informations de certification.

La **période de durabilité des émissions** indique le nombre d'heures d'utilisation normale pour lequel le moteur est certifié conforme aux normes d'émissions sous réserve d'un entretien approprié tel qu'indiqué dans le manuel d'utilisation et d'entretien. Les catégories suivantes sont utilisées :

### Modéré :

Les moteurs de cylindrée inférieure ou égale à 80 cm<sup>3</sup> sont certifiés conformes en matière d'émissions pour 50 heures d'utilisation normale. Les moteurs de cylindrée supérieure à 80 cm<sup>3</sup> sont certifiés conformes en matière d'émissions pour 125 heures d'utilisation normale.

### Intermédiaire :

Les moteurs de cylindrée inférieure ou égale à 80 cm<sup>3</sup> sont certifiés conformes en matière d'émissions pour 125 heures d'utilisation normale. Les moteurs de cylindrée supérieure à 80 cm<sup>3</sup> sont certifiés conformes en matière d'émissions pour 250 heures d'utilisation normale.

### Étendu :

Les moteurs de cylindrée inférieure ou égale à 80 cm<sup>3</sup> sont certifiés conformes en matière d'émissions pour 300 heures d'utilisation normale. Les moteurs de cylindrée supérieure à

80 cm<sup>3</sup> sont certifiés conformes en matière d'émissions pour 500 heures d'utilisation normale.

Par exemple, une tondeuse à conducteur marchant classique est utilisée 20 à 25 heures par an. Par conséquent, la **période de durabilité des émissions** d'un moteur de catégorie **intermédiaire** équivaldrait à 10 à 12 ans.

Les moteurs Briggs & Stratton sont certifiés conformes aux normes environnementales d'émissions de la United States Environmental Protection Agency (U.S. EPA) Phase 2 ou Phase 3. La période de conformité d'émissions mentionnée sur les étiquettes indique le nombre d'heures d'utilisation pour lequel le moteur est en conformité avec les normes fédérales américaines.

**Pour les moteurs de cylindrée inférieure ou égale à 80 cm<sup>3</sup> :**

Catégorie C = 50 heures, catégorie B = 125 heures, catégorie A = 300 heures

**Pour les moteurs de cylindrée supérieure à 80 cm<sup>3</sup> et inférieure à 225 cm<sup>3</sup> :**

Catégorie C = 125 heures, catégorie B = 250 heures, catégorie A = 500 heures

**Pour les moteurs de cylindrée supérieure ou égale à 225 cm<sup>3</sup> :**

Catégorie C = 250 heures, catégorie B = 500 heures, catégorie A = 1000 heures

80008256 (Rév D)

Not for  
Reproduction

Not for  
Reproduction



Not for  
Reproduction